

McKINNEY Hinge Catalog

Wide Throw Full-Mortise Continuous Gear Hinge

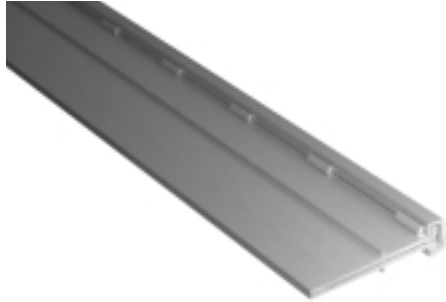
McKINNEY

1-800-346-7707

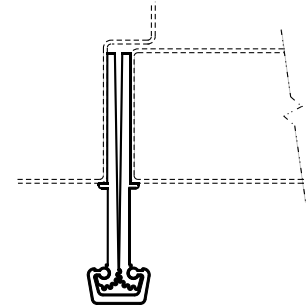
www.mckinneyhinge.com

MCK-WTHD SERIES

Extruded 6063-T6 aluminum
Alloy/temper with pinless assembly



APPLICATION



Requires 5/16" clearance for square edge doors and 3/8" clearance on beveled edge doors

Door Weight Capacity	
Hinge Size	Heavy Duty
79"	520 lbs.
83"	540 lbs.
95"	620 lbs.

Special hinge reinforcements are not required. Hollow metal door and frame manufacturers standard is acceptable. Removal of hinge reinforcements in the door and frame is not advised.

83" and 95" lengths are standard for normal door heights. The MCK-WTHD continuous gear hinge may be field-cut to exact door heights and also may be ordered in custom lengths. Consult the factory regarding any other lengths.

The McKINNEY MCK-WTHD continuous gear hinge is recommended for new construction or retrofit installations that require extra clearance due to special frame or door design and are applied so as to conceal both leaves. These include new door and frame, new door with existing frame or existing door with new frame, or new door applications that require extra clearance (provides 2-3/4" clearance) due to special frame or door design

** When ordering, specify where modification is to be located (top, bottom or center). If not specified, the modification will be located at the center.*

- Frame leaf and door leaf are independently machined and then anodized
- Hinge doubles as weather stripping on hinge side
- No special prep required for lead-lined doors
- Non Handed
- All components are anodized
- Concealed Thrust Type bearing carry vertical load
- Allows for adjustment in order to properly align the lock edge of the door to the frame
- Field cutting will not void listing
- Tapered leaf design eliminates the need for extra clearance on beveled edge doors
- Available with Concealed Circuit - specify: CC-4, CC-8*
- Available with Magnetic Monitoring - specify: MM*
- Power Transfer Prep Available, specify PT*
- All fasteners are 12 x 3/4 Tek Phillips, flat head undercut self-drilling/tapping screws