

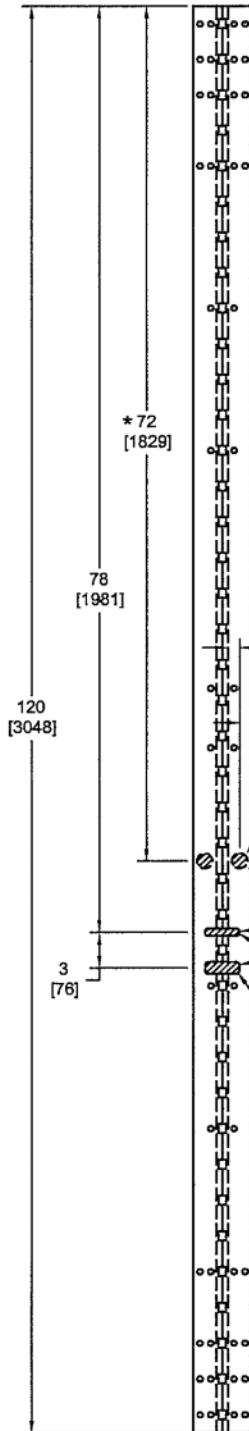
120HD CC12 & MM STANDARD LOCATION TEMPLATE

Includes All Profiles Except Residential & 1100 Series



Fire Rated
 Classified & Listed to
 meet the requirements of
 Standards UL10B, UL10C,
 UBC7-2, Part I & BS476

POSITIVE PRESSURE



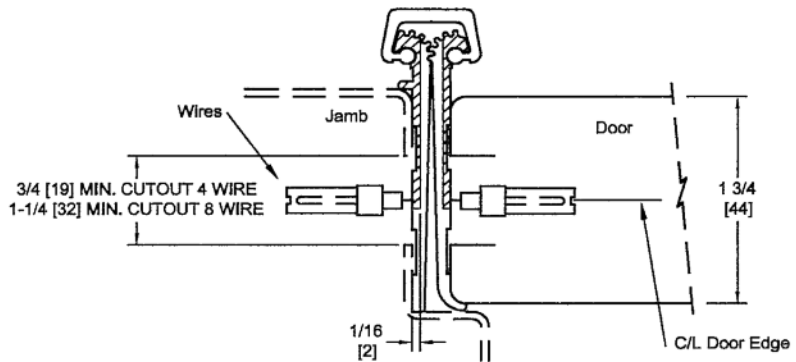
STANDARD LOCATION OF MAGNETIC MONITOR
 IF FIRE RATED-PER NFPA 80
 MAX. 3/4" DIA. HOLE ALLOWED.
 1 HOLE REQ'D IN BOTH DOOR AND
 FRAME FOR EACH MONITOR
 1-1/4"Ø x 1/16" DP. MM RECESS

1-3/8"LG. x 5/8"W x 1/16"DP CC RECESS

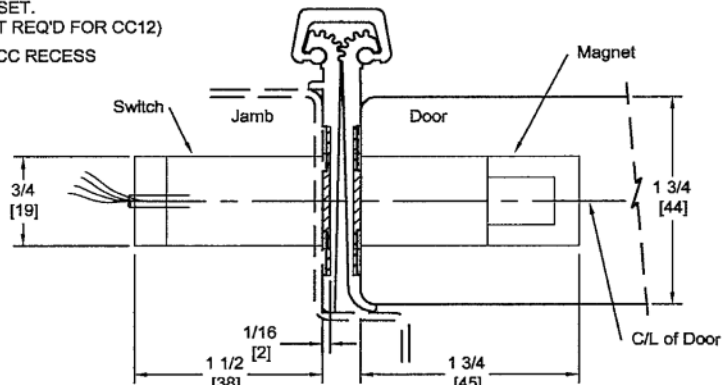
STANDARD LOCATION OF WIRE PREP.
 1 HOLE REQ'D IN BOTH DOOR AND
 FRAME FOR EACH WIRE SET.
 (ONE 4 & ONE 8 WIRE SET REQ'D FOR CC12)

1-3/8"LG. x 1"W x 1/16"DP CC RECESS

Concealed Circuit (CC) Application



Magnetic Monitor (MM) Application



* Vertical location from top of hinge = 72" [1829]
 Reference only Consult Manufacture for Specified Locations.

DO NOT SCALE
FOR ILLUSTRATION PRUPOSE ONLY

Continued...

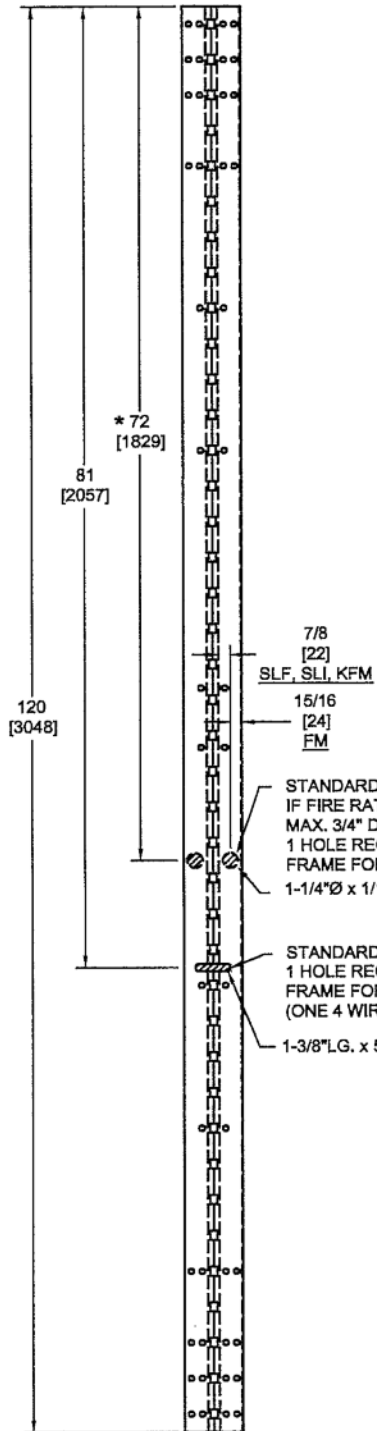
120HD CC4 & MM STANDARD LOCATION TEMPLATE

Includes All Profiles Except Residential & 1100 Series



Fire Rated
 Classified & Listed to
 meet the requirements of
 Standards UL10B, UL10C,
 UBC7-2, Part I & BS476
POSITIVE PRESSURE

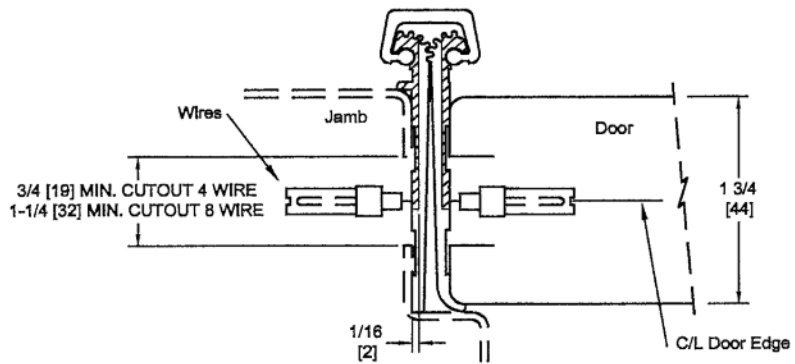
TEMPLATE 120HD-CC4-06



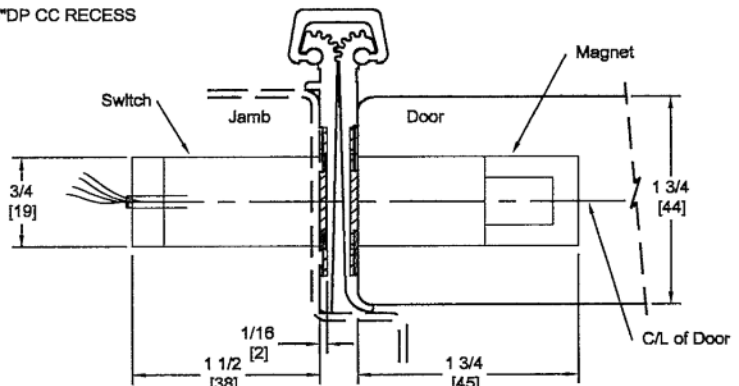
STANDARD LOCATION OF MAGNETIC MONITOR
 IF FIRE RATED-PER NFPA 80
 MAX. 3/4" DIA. HOLE ALLOWED.
 1 HOLE REQ'D IN BOTH DOOR AND
 FRAME FOR EACH MONITOR
 1-1/4"Ø x 1/16" DP. MM RECESS

STANDARD LOCATION OF WIRE PREP.
 1 HOLE REQ'D IN BOTH DOOR AND
 FRAME FOR EACH WIRE SET.
 (ONE 4 WIRE SET REQ'D FOR CC4)
 1-3/8"LG. x 5/8"W x 1/16"DP CC RECESS

Concealed Circuit (CC) Application



Magnetic Monitor (MM) Application



* Vertical location from top of hinge = 72" [1829]
 Reference only Consult Manufacturer for Specified Locations.

**DO NOT SCALE
 FOR ILLUSTRATION PURPOSE ONLY**

Continued...

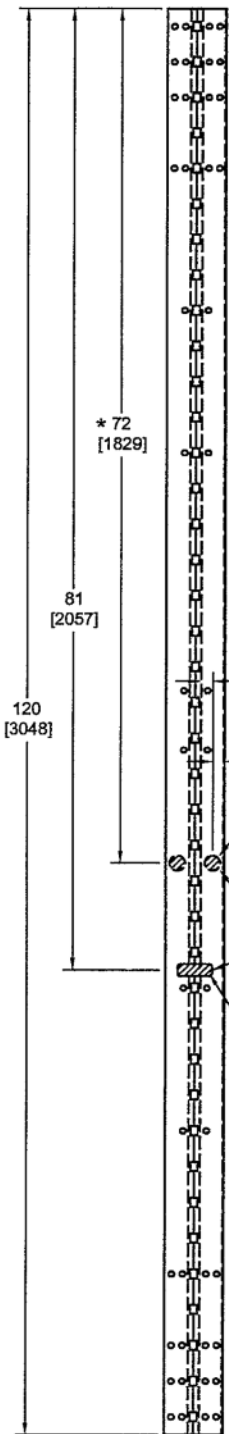
120HD CC8 & MM STANDARD LOCATION TEMPLATE

Includes All Profiles Except Residential & 1100 Series



Fire Rated
 Classified & Listed to
 meet the requirements of
 Standards UL10B, UL10C,
 UBC7-2, Part I & BS476
POSITIVE PRESSURE

TEMPLATE 120HD-CC8-06



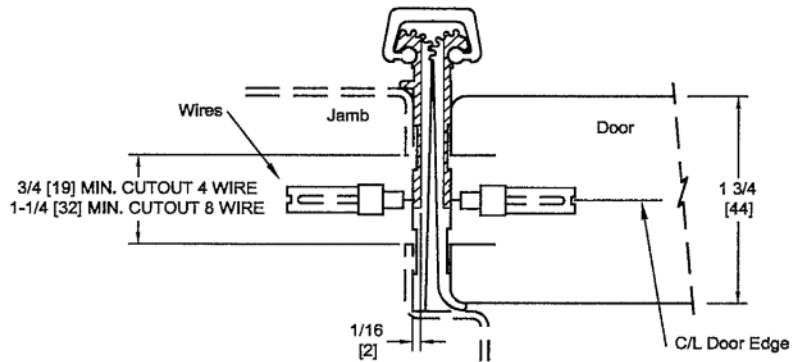
STANDARD LOCATION OF MAGNETIC MONITOR
 IF FIRE RATED-PER NFPA 80
 MAX. 3/4" DIA. HOLE ALLOWED.
 1 HOLE REQ'D IN BOTH DOOR AND
 FRAME FOR EACH MONITOR

1-1/4"Ø x 1/16" DP. MM RECESS

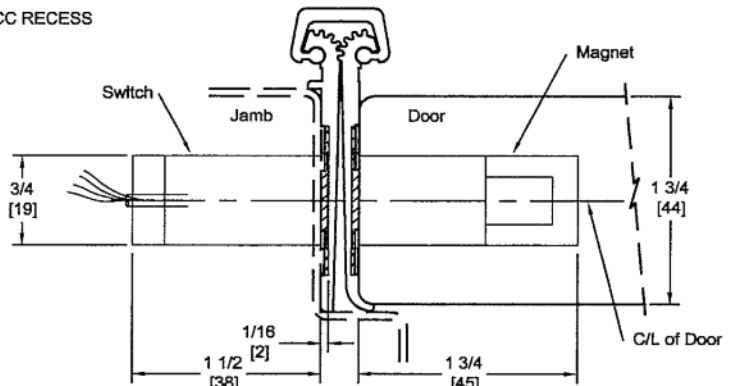
STANDARD LOCATION OF WIRE PREP.
 1 HOLE REQ'D IN BOTH DOOR AND
 FRAME FOR EACH WIRE SET.
 (ONE 8 WIRE SET REQ'D FOR CC8)

1-3/8"LG. x 1"W x 1/16"DP CC RECESS

Concealed Circuit (CC) Application



Magnetic Monitor (MM) Application



* Vertical location from top of hinge = 72" [1829]
 Reference only Consult Manufacture for Specified Locations.

DO NOT SCALE
FOR ILLUSTRATION PRUPOSE ONLY