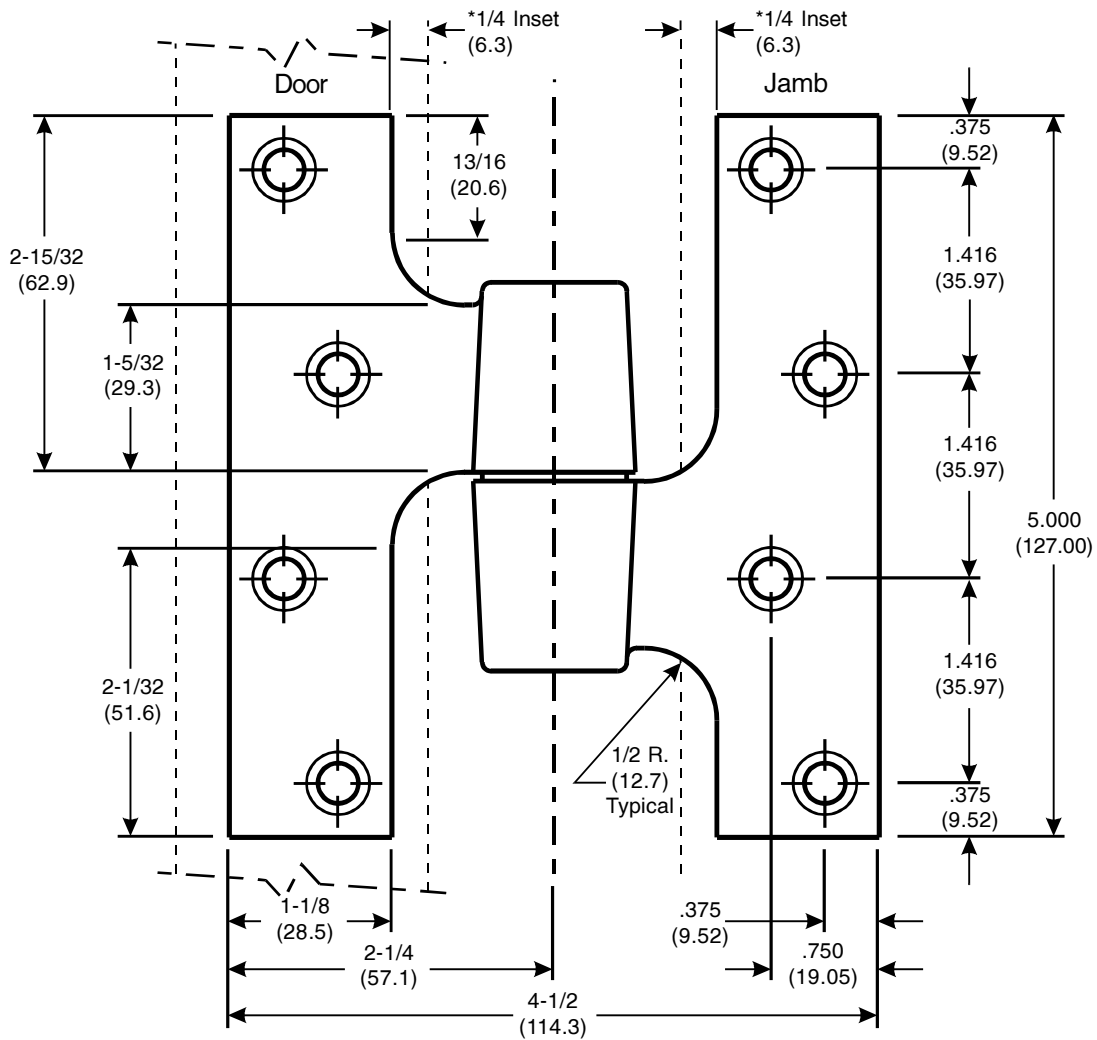
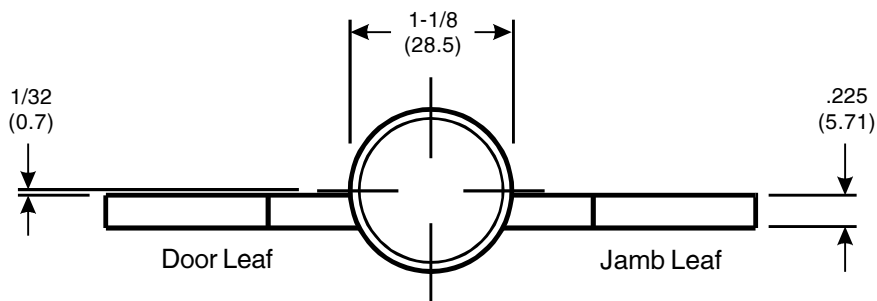


**5 X 4½ TB 3329
FULL MORTISE PAUMELLE TEMPLATE HINGES**

DO NOT SCALE



Right hand hinge shown
Left hand opposite



McKINNEY Template Paumelle Hinges are made in size, gauge and with screw holes located to conform to this drawing.
Machine Screw Size - 1/2 x 1/4-20 F.H.
Wood Screw Size - 1-1/2 x 14 F. H.
Hinges are handed.
*When door is flush with jamb casing.