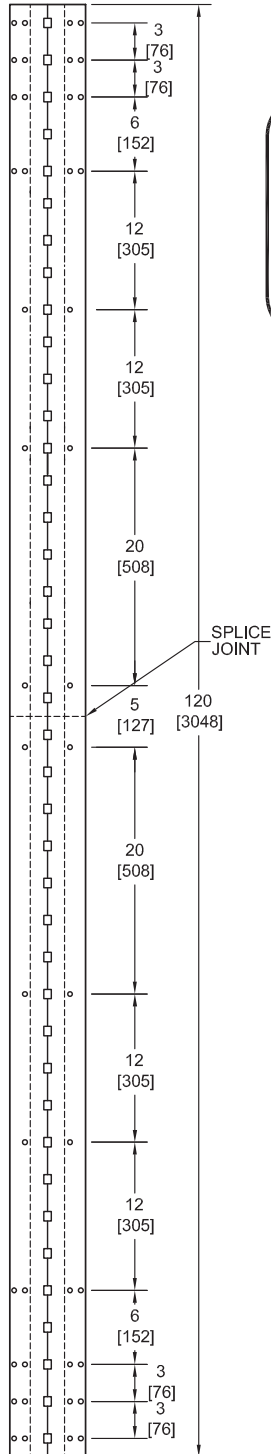
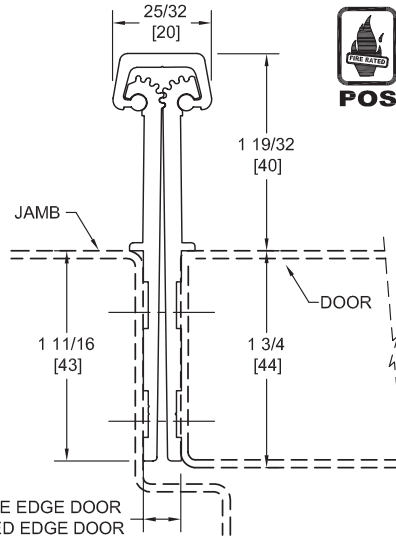


120 MCK WTHD TEMPLATE FULL MORTISE CONTINUOUS GEARED ALUMINUM HINGE

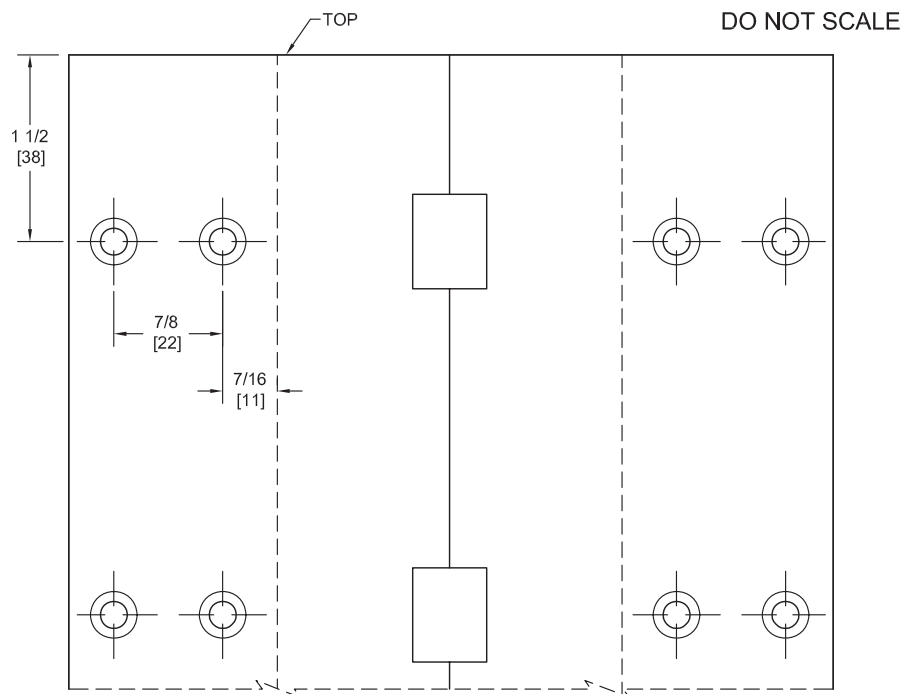
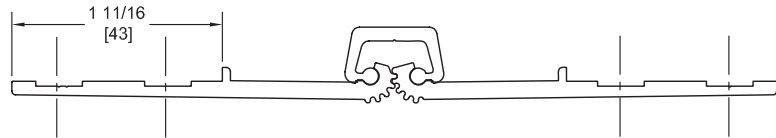


**** CAUTION ****
Due To Frame
Installation
Variations,
Pre-drilling
For Fasteners
Is Not
Recommended



Fire Rated
Classified & Listed to
meet the requirements of
Standards UL10B, UL10C,
UBC7-2, Part I & BS476

POSITIVE PRESSURE



Template Full Mortise Continuous Geared Aluminum Hinges 120MCK WTHD are made to conform to this drawing. Machine Screw Size - No. 12-24 x 7/16 FHUC Thread-forming. Continuous Geared Aluminum Hinges are Listed for fire applications up to 90 minutes without special preparation; for 3 hour openings using hollow metal doors and hollow metal frames on Masonry/Drywall, Fire Pins (supplied separately) must be used. See back for locations.

Continued...

TEMPLATE 120WTHD-03 Continued.

Effective date: November 2003
Supercedes: All Previous

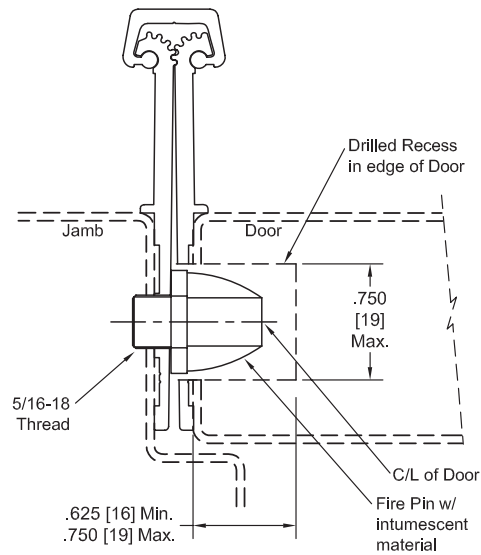
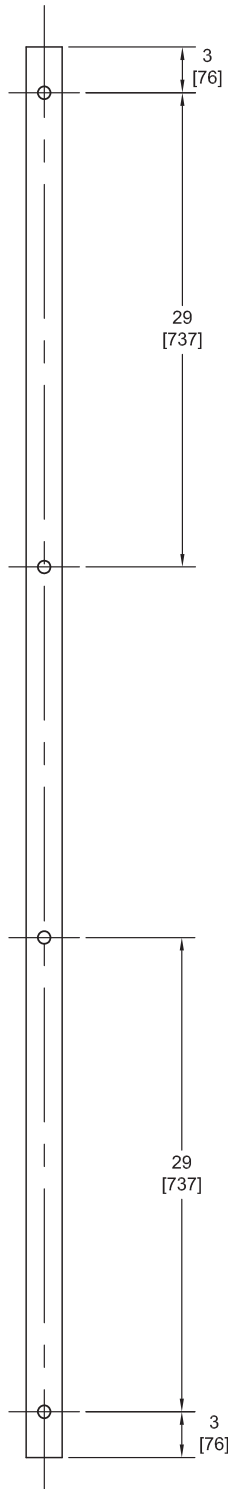
McKinney®

ASSA ABLOY

TEMPLATE 120WTHD-03

120 MCK WTHD TEMPLATE FULL MORTISE CONTINUOUS GEARED ALUMINUM HINGE

Fire Pin Application



Concealed Circuit (CC) Application

NOT AVAILABLE

Copyright © 2003, 2009, McKinney Products Company, an ASSA ABLOY Group company. All rights reserved. Reproduction in whole or in part without the express written permission of McKinney Products Company is prohibited.

McKINNEY Products Company • 820 Davis Street • Scranton PA 18505-3525 • PHONE: 800-346-7707 • FAX 800-541-1073