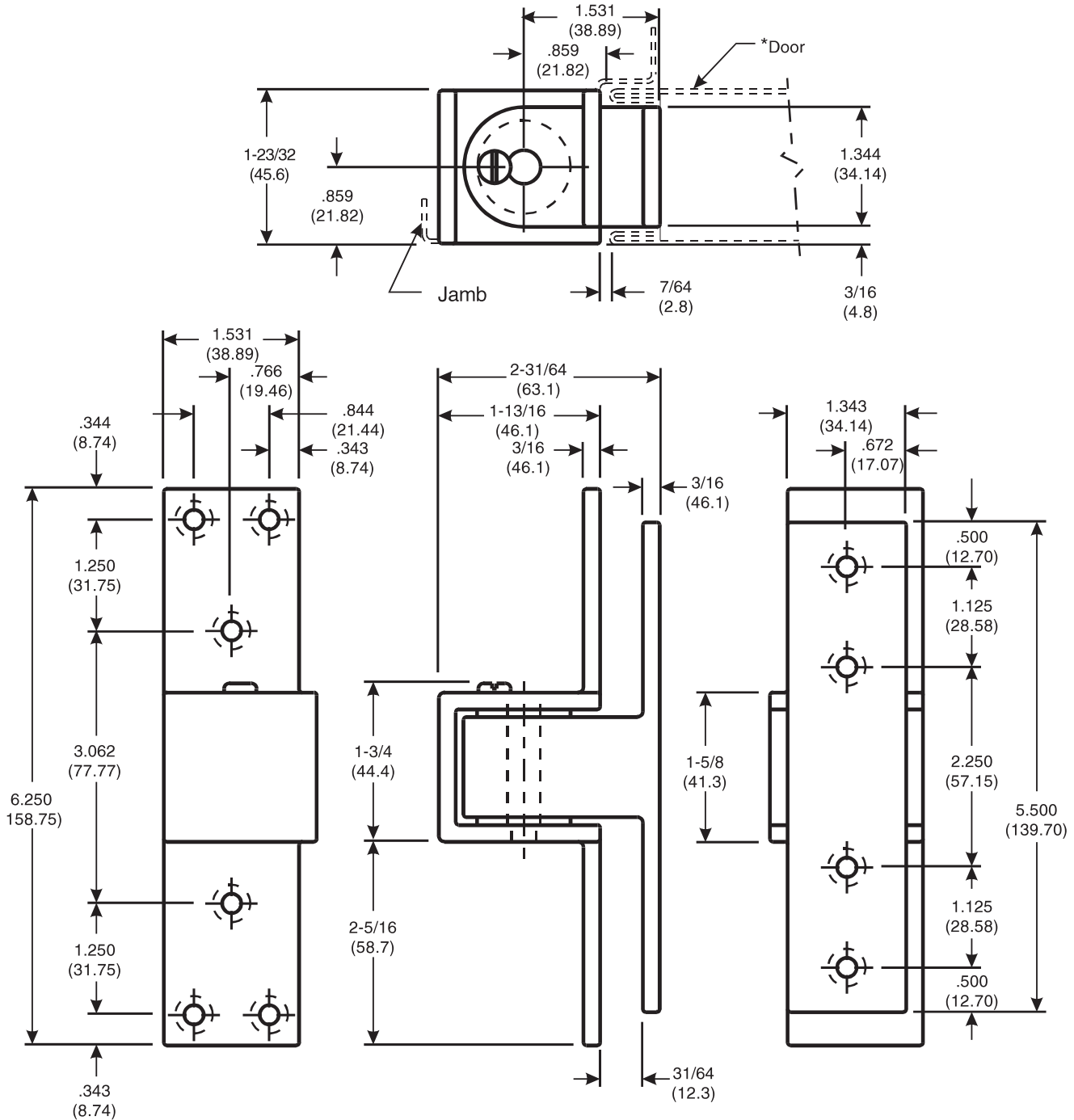


PH-4 6-1/4 x 1-17/32 TEMPLATE POCKET HINGE

DO NOT SCALE



McKINNEY Template Pocket Hinge is made to conform to this drawing.

Machine Screw Size - 3/4 x 12-24 F.H.

Wood Screw Size - 1-1/4 x 12 F.H.

* See Back for suggested door preparations.

Continued...

These templates can be found on our website at www.mckinneyhinge.com

McKINNEY Products Company • 225 Episcopal Road • Berlin, CT 06037 • PHONE: 800-346-7707 • FAX: 800-541-1073

ASSA ABLOY, the global leader in door opening solutions

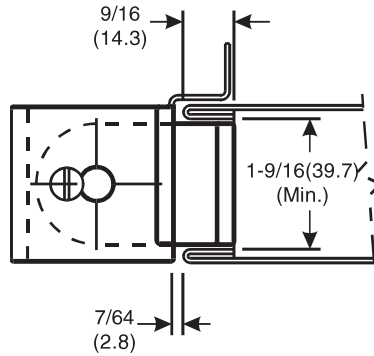
TEMPLATE 226-10 Continued.

Effective date: August 20, 2010
Supercedes: All Previous

McKinney®

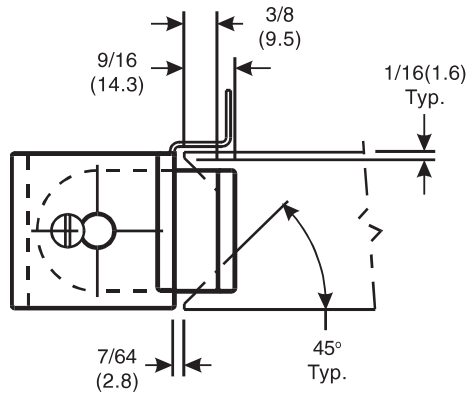
ASSA ABLOY

TEMPLATE 226-10

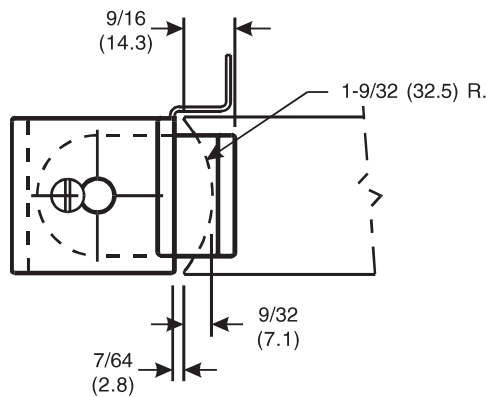


DO NOT SCALE

Suggested hollow metal door preparation



Suggested wood door preparation (Style 1)



Suggested wood door preparation (Style 2)

Copyright © 1998, 2008, 2010, McKinney Products Company, an ASSA ABLOY Group company. All rights reserved.
Reproduction in whole or in part without the express written permission of McKinney Products Company is prohibited.
8/2010

These templates can be found on our website at www.mckinneyhinge.com

McKINNEY Products Company • 225 Episcopal Road • Berlin, CT 06037 • PHONE: 800-346-7707 • FAX: 800-541-1073

ASSA ABLOY, the global leader in door opening solutions