

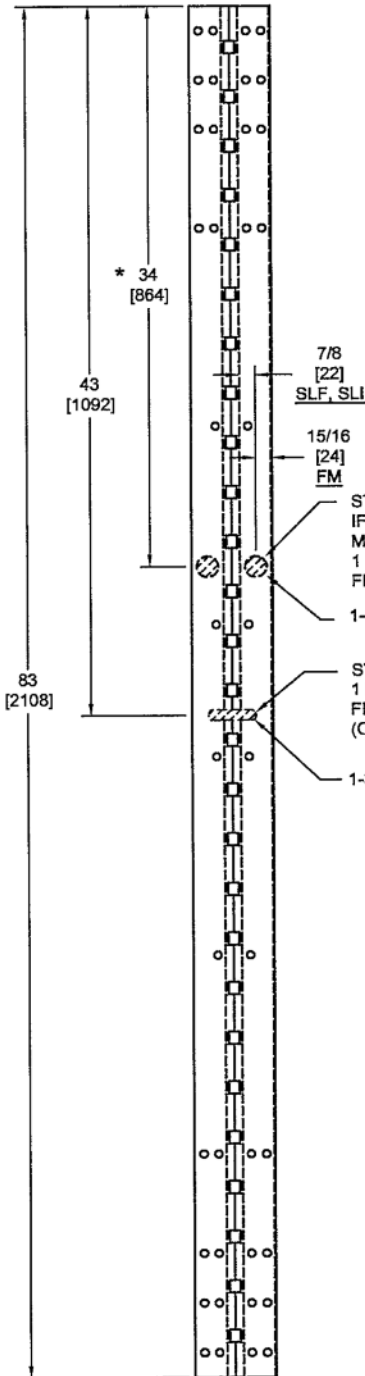
83HD CC4 & MM STANDARD LOCATION TEMPLATE

Includes All Profiles Except Kawneer, Residential & 1100 Series



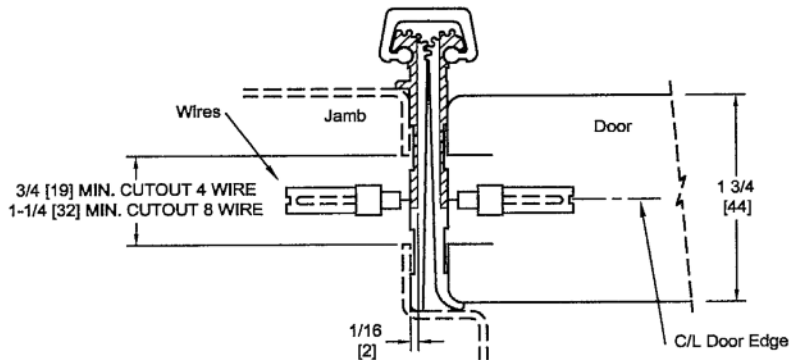
Fire Rated
 Classified & Listed to
 meet the requirements of
 Standards UL10B, UL10C,
 UBC7-2, Part I & BS476

POSITIVE PRESSURE

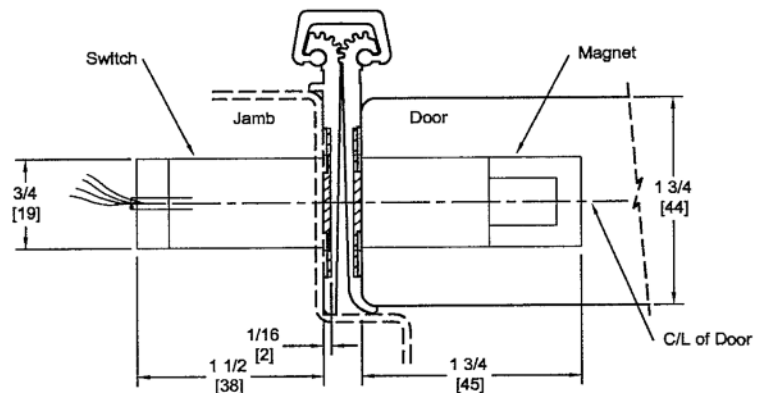


- 7/8 [22] SLF, SLI
- 15/16 [24] FM
- STANDARD LOCATION OF MAGNETIC MONITOR IF FIRE RATED-PER NFPA 80 MAX. 3/4" DIA. HOLE ALLOWED. 1 HOLE REQ'D IN BOTH DOOR AND FRAME FOR EACH MONITOR
- 1-1/4"Ø x 1/16" DP. MM RECESS
- STANDARD LOCATION OF WIRE PREP. 1 HOLE REQ'D IN BOTH DOOR AND FRAME FOR EACH WIRE SET. (ONE 4 WIRE SET REQ'D FOR CC4)
- 1-3/8"LG. x 5/8"W x 1/16"DP CC RECESS

Concealed Circuit (CC) Application



Magnetic Monitor (MM) Application



* Vertical location from top of hinge = 34" [864]
 Reference only Consult Manufacturer for Specified Locations.

**DO NOT SCALE
 FOR ILLUSTRATION PRUPOSE ONLY**

Continued...

TEMPLATE 83HD-CC8 Continued.

Effective date: February 2006
 Supersedes: All Previous

McKinney®

ASSA ABLOY

TEMPLATE 83HD-CC8

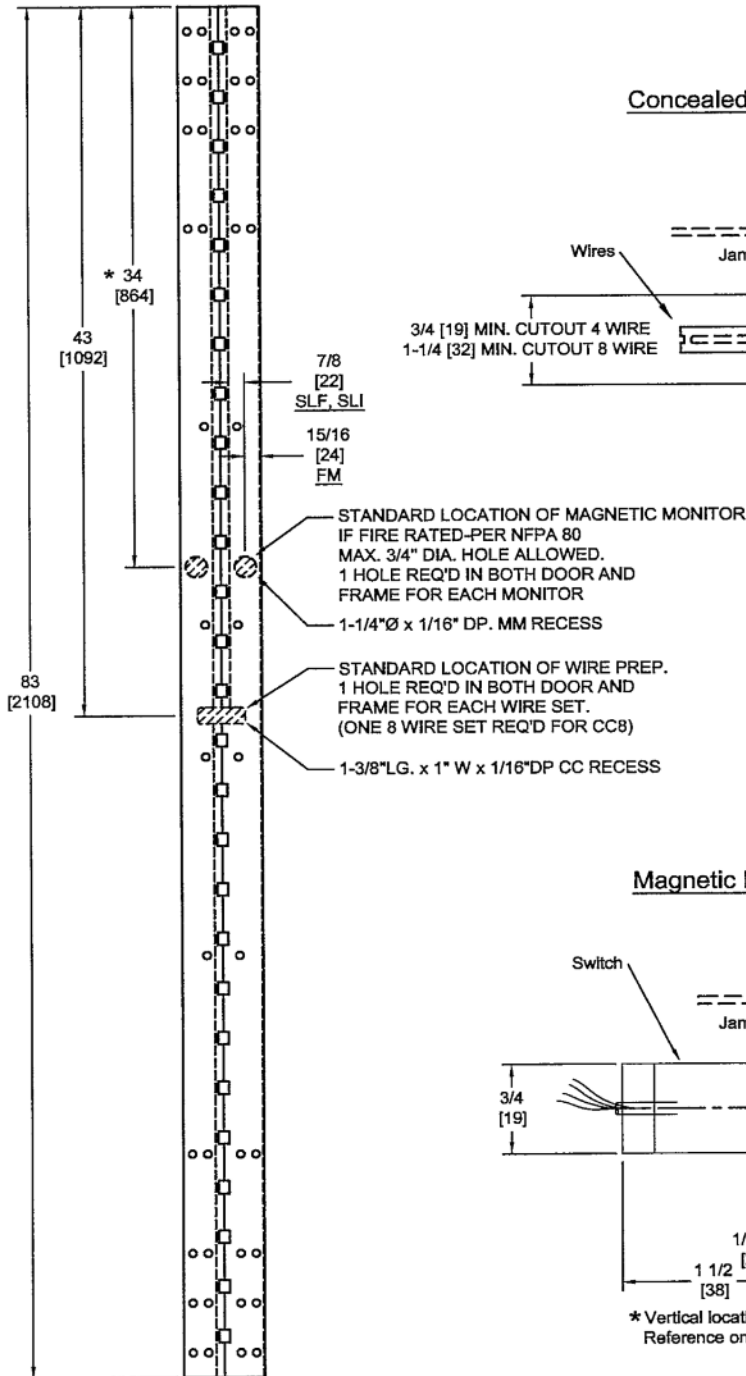
83HD CC8 & MM STANDARD LOCATION TEMPLATE

Includes All Profiles Except Kawneer, Residential & 1100 Series

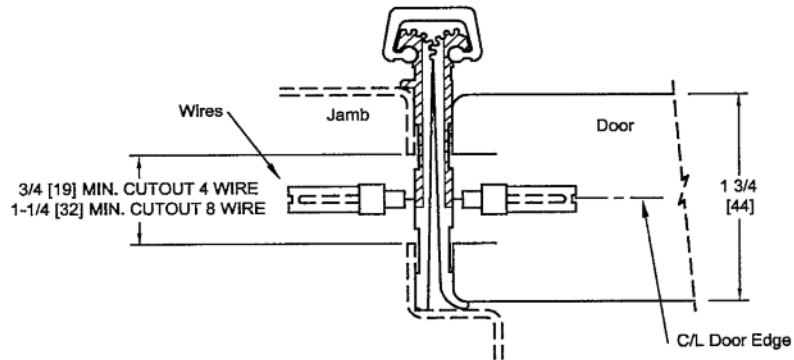


Fire Rated
 Classified & Listed to
 meet the requirements of
 Standards UL10B, UL10C,
 UBC7-2, Part I & BS476

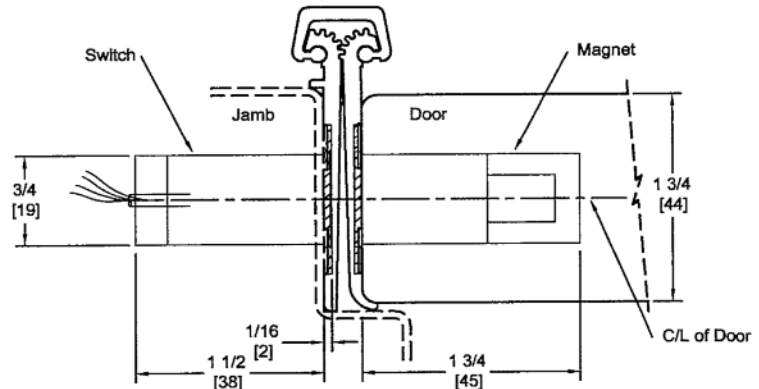
POSITIVE PRESSURE



Concealed Circuit (CC) Application



Magnetic Monitor (MM) Application



* Vertical location from top of hinge = 34" [864]
 Reference only Consult Manufacture for Specified Locations.

**DO NOT SCALE
 FOR ILLUSTRATION PRUPOSE ONLY**

Continued...

McKINNEY Products Company • 225 Episcopal Road • Berlin, CT 06037 • PHONE: 800-346-7707 • FAX: 800-541-1073

ASSA ABLOY, the global leader in door opening solutions

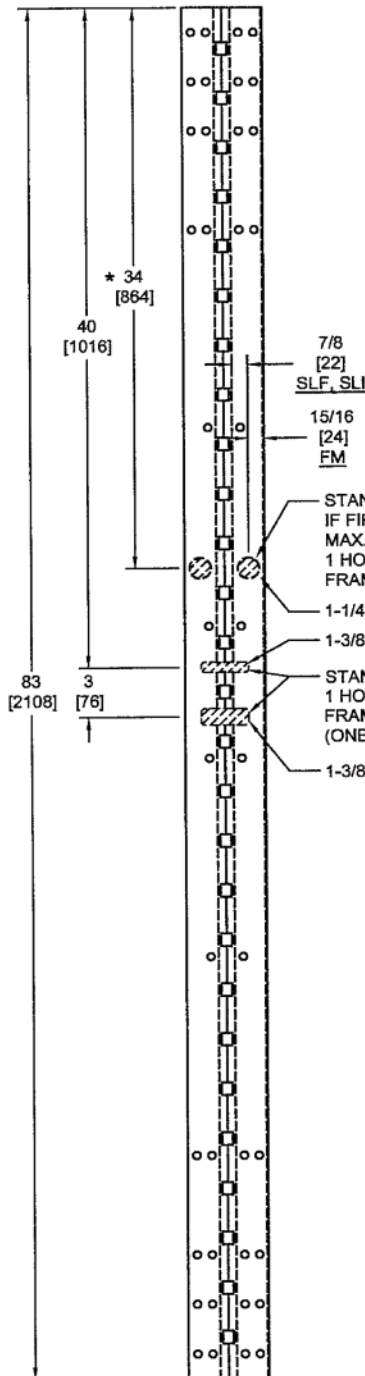
83HD CC12 & MM STANDARD LOCATION TEMPLATE

Includes All Profiles Except Kawneer, Residential & 1100 Series



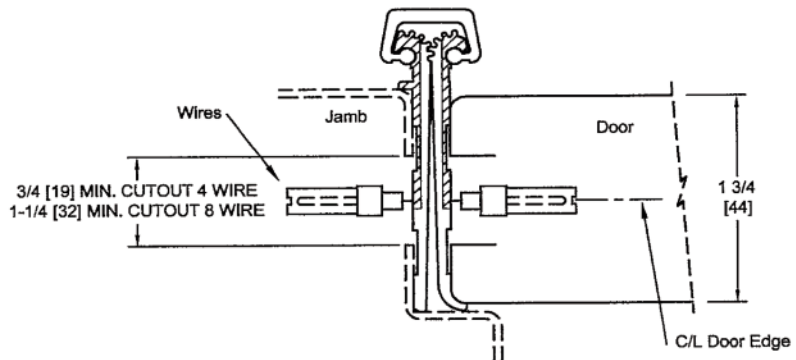
Fire Rated
 Classified & Listed to
 meet the requirements of
 Standards UL10B, UL10C,
 UBC7-2, Part I & BS476

POSITIVE PRESSURE

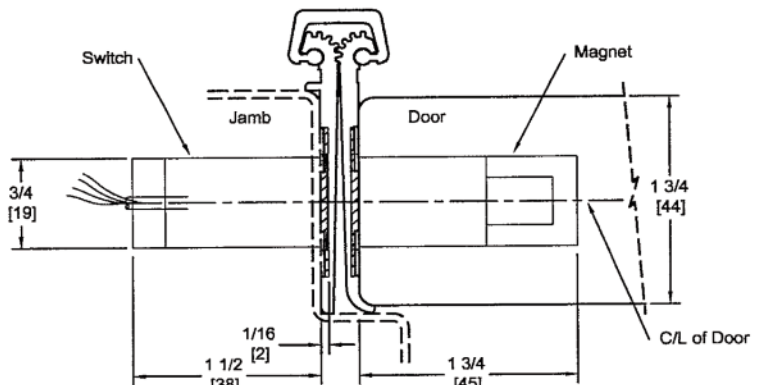


- STANDARD LOCATION OF MAGNETIC MONITOR IF FIRE RATED-PER NFPA 80 MAX. 3/4" DIA. HOLE ALLOWED. 1 HOLE REQ'D IN BOTH DOOR AND FRAME FOR EACH MONITOR.
- 1-1/4"Ø x 1/16" DP. MM RECESS
- 1-3/8"LG. x 5/8" W x 1/16"DP CC RECESS
- STANDARD LOCATION OF WIRE PREP. 1 HOLE REQ'D IN BOTH DOOR AND FRAME FOR EACH WIRE SET. (ONE 4 & ONE 8 WIRE SET REQ'D FOR CC12)
- 1-3/8"LG. x 1" W x 1/16"DP CC RECESS

Concealed Circuit (CC) Application



Magnetic Monitor (MM) Application



* Vertical location from top of hinge = 34" [864]
 Reference only Consult Manufacture for Specified Locations.

**DO NOT SCALE
 FOR ILLUSTRATION PRUPOSE ONLY**

TEMPLATE 83HD-CC12-06

Copyright © 2006, 2008, McKinney Products Company, an ASSA ABLOY Group company. All rights reserved. Reproduction in whole or in part without the express written permission of McKinney Products Company is prohibited.