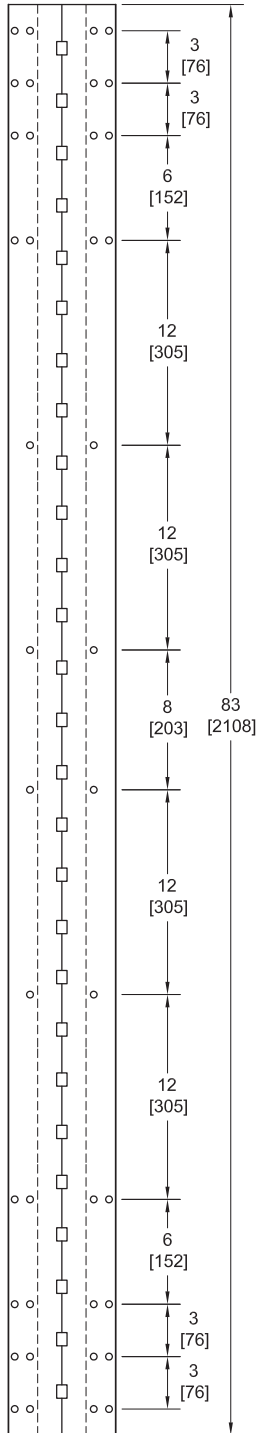
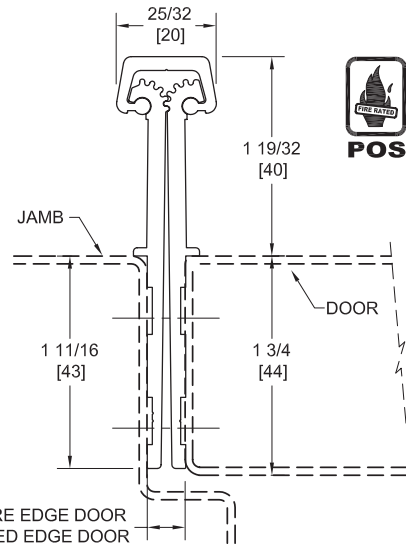


83" MCK WTHD TEMPLATE FULL MORTISE CONTINUOUS GEARED ALUMINUM HINGE



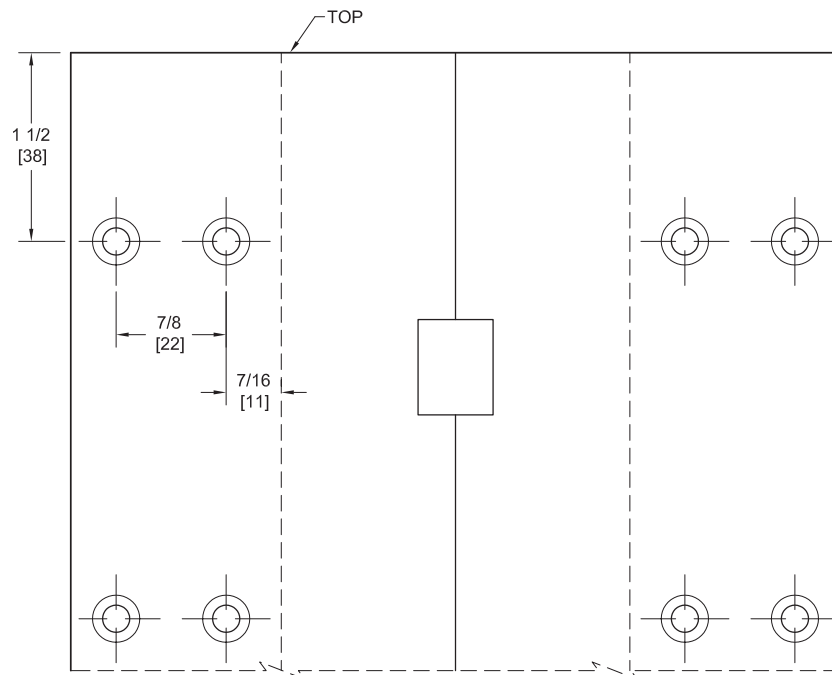
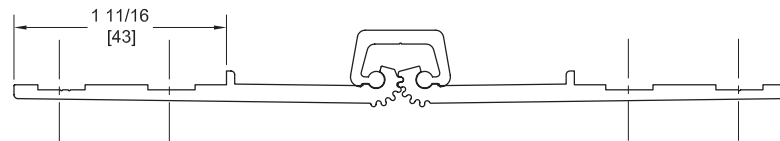
**** CAUTION ****
 Due To Frame
 Installation
 Variations,
 Pre-drilling
 For Fasteners
 Is Not
 Recommended



Fire Rated
 Classified & Listed to
 meet the requirements of
 Standards UL10B, UL10C,
 UBC7-2, Part I & BS476

POSITIVE PRESSURE

DO NOT SCALE

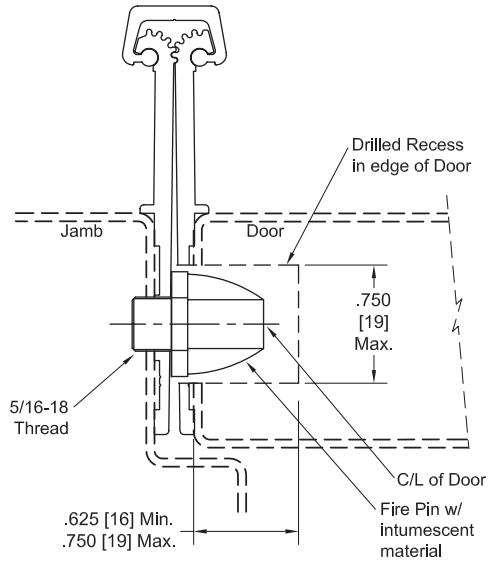
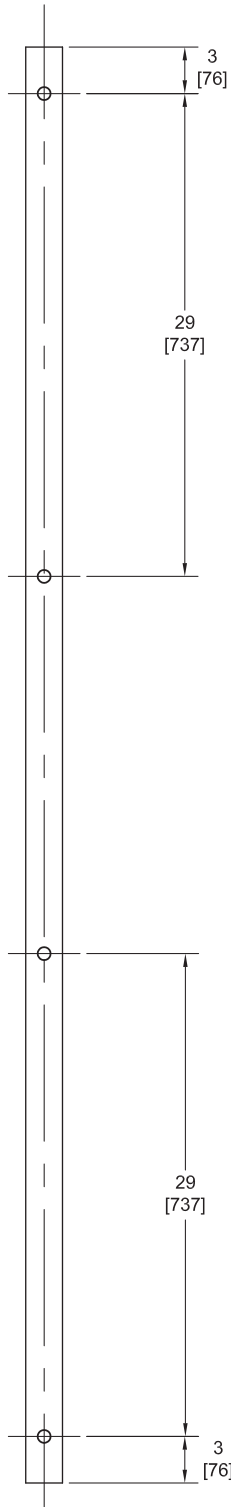


Template Full Mortise Continuous Geared Aluminum Hinges 83 MCK WTHD are made to conform to this drawing.
 Machine Screw Size - No. 12-24 x 7/16 FHUC Thread-forming.
 Continuous Geared Aluminum Hinges are Listed for fire applications up to 90 minutes without special preparation; for 3 hour openings using
 hollow metal doors and hollow metal frames on Masonry/Drywall, Fire Pins (supplied separately) must be used. See back for locations.

Continued...

83" MCK WTHD
TEMPLATE FULL MORTISE CONTINUOUS GEARED ALUMINUM HINGE

Fire Pin Application



Concealed Circuit (CC) Application

NOT AVAILABLE