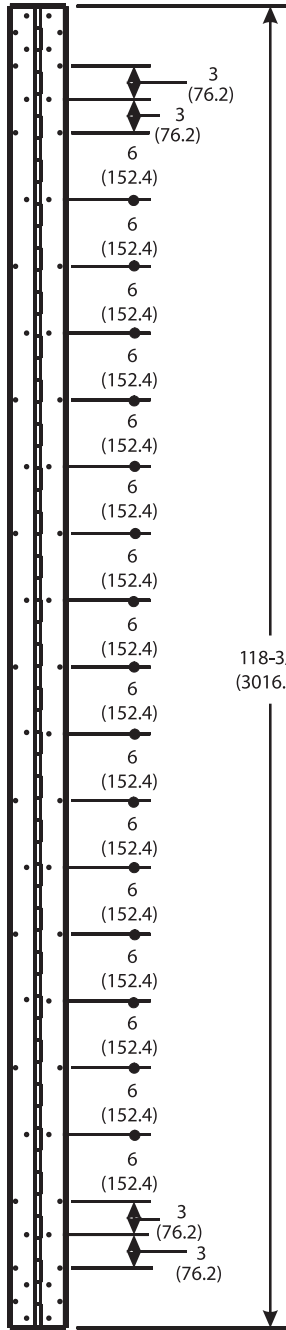


10' MCK-HG3505 (Stainless Steel) EDGE MOUNTED, CONTINUOUS SECURITY HINGE W/EDGE GUARD



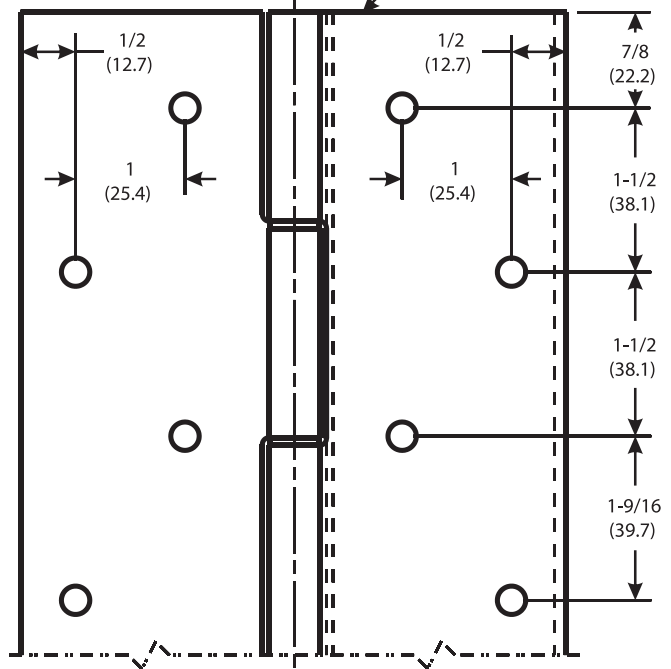
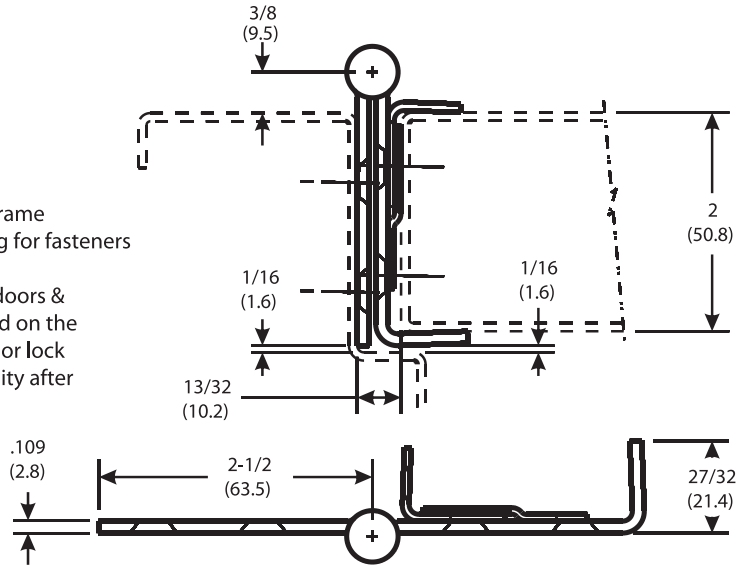
DO NOT SCALE

TEMPLATE 854-07



Notes:

1. Due to variations in frame installations, pre-drilling for fasteners is not recommended.
2. Fire rating labels on doors & frames should be placed on the frame header & top rail or lock edge of doors for visibility after hinge is installed.



McKINNEY Edge Mounted Continuous Hinge MCK-HG3505 is made to conform to this drawing.
 Machine Screw Size – 12-24 x 3/4" U/C P. H.

– 1-3/8" RH Adjusta-screw.

Classified in accordance with UBC Code Standard 7-2, Fire Test of Door Assemblies for Positive Pressure.

Continued...

McKINNEY Products Company • 225 Episcopal Road • Berlin, CT 06037 • PHONE: 800-346-7707 • FAX: 800-541-1073

ASSA ABLOY, the global leader in door opening solutions

Copyright © 2007, 2008, McKinney Products Company, an ASSA ABLOY Group company. All rights reserved. Reproduction in whole or in part without the express written permission of McKinney Products Company is prohibited.

TEMPLATE 854-07 Continued.

Effective date: August 4, 2007
 Supercedes: All Previous

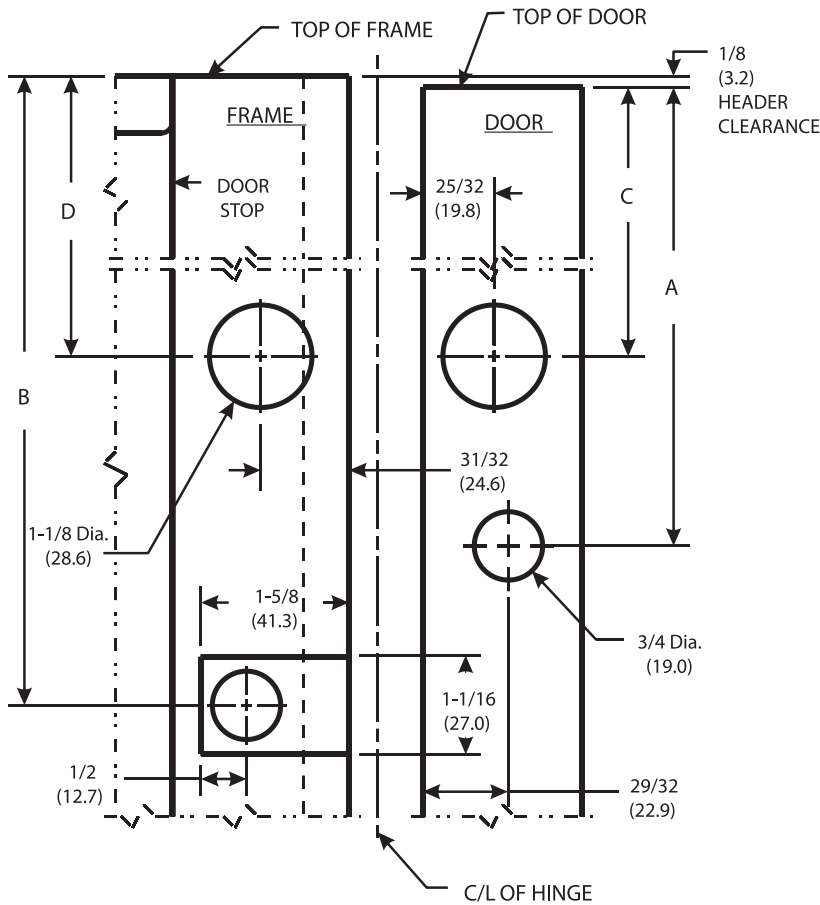
McKinney®

ASSA ABLOY

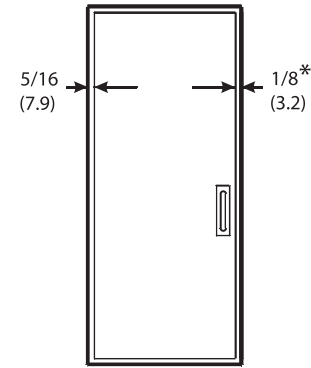
TEMPLATE 854-07

10' MCK-HG3505 (Stainless Steel) EDGE MOUNTED, CONTINUOUS SECURITY HINGE W/EDGE GUARD

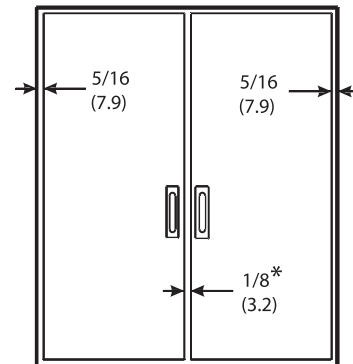
ELECTRICAL OPTIONS PREPARATION



DOOR & FRAME CLEARANCES



SINGLE DOOR



PAIRS OF DOORS

* Add 1/16" for Frame Irregularity

NOTE:

Consult the MCKINNEY catalog for additional clearance and undersizing information when using Edge Guards and/or Adjust-A-Screws.

HAND	DIM.	DOOR		FRAME	
		CC/QC	MM	CC/QC	MM
R	A	58-5/8 (1489.1)	—	—	—
R	B	—	—	58-3/4 (1492.3)	—
R	C	—	55-7/16 (1408.1)	—	—
R	D	—	—	—	55-9/16 (1411.3)
L	A	60-3/8 (1533.5)	—	—	—
L	B	—	—	60-1/2 (1536.7)	—
L	C	—	55-7/16 (1408.1)	—	—
L	D	—	—	—	55-9/16 (1411.3)