

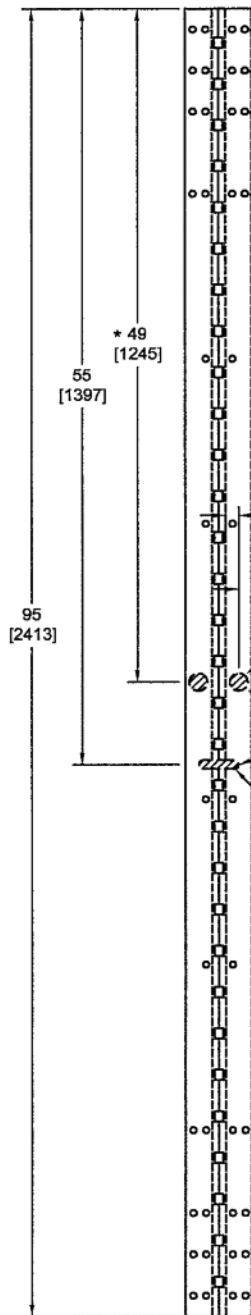
95HD CC4 & MM STANDARD LOCATION TEMPLATE

Includes All Profiles Except Residential & 1100 Series



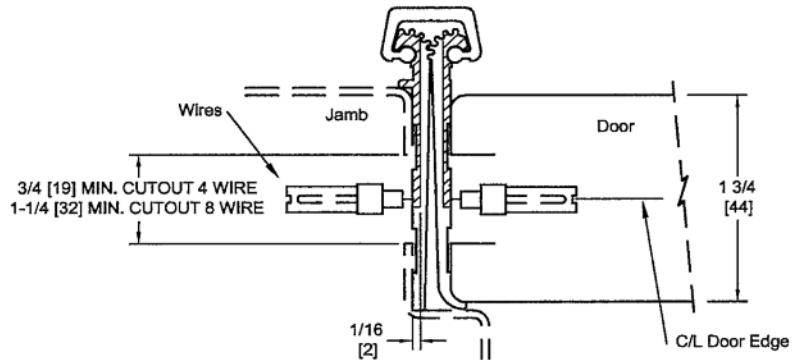
Fire Rated
 Classified & Listed to
 meet the requirements of
 Standards UL10B, UL10C,
 UBC7-2, Part I & BS476
POSITIVE PRESSURE

TEMPLATE 95HD-CC4-06

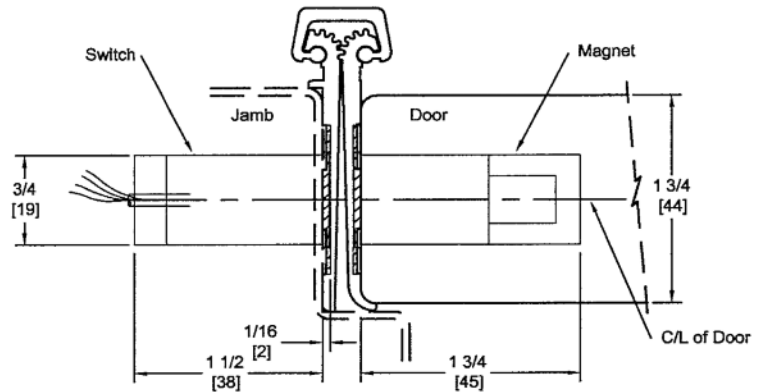


- 7/8 [22]
SLF, SLI, KFM
- 15/16 [24]
FM
- STANDARD LOCATION OF MAGNETIC MONITOR
IF FIRE RATED-PER NFPA 80
MAX. 3/4" DIA. HOLE ALLOWED.
1 HOLE REQ'D IN BOTH DOOR AND
FRAME FOR EACH MONITOR
- 1-1/4" x 1/16" DP. MM RECESS
- STANDARD LOCATION OF WIRE PREP.
1 HOLE REQ'D IN BOTH DOOR AND
FRAME FOR EACH WIRE SET.
(ONE 4 WIRE SET REQ'D FOR CC4)
- 1-3/8" LG. x 5/8" W x 1/16" DP CC RECESS

Concealed Circuit (CC) Application



Magnetic Monitor (MM) Application



* Vertical location from top of hinge = 49" [1245]
 Reference only Consult Manufacture for Specified Locations.

**DO NOT SCALE
 FOR ILLUSTRATION PRUPOSE ONLY**

Continued...

TEMPLATE 95HD-CC8 Continued.

Effective date: February 2006
 Supercedes: All Previous

McKinney®

ASSA ABLOY

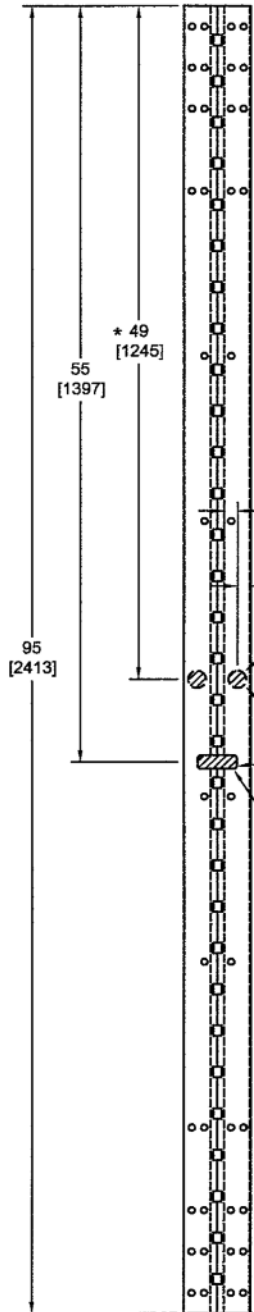
TEMPLATE 95HD-CC8

95HD CC8 & MM STANDARD LOCATION TEMPLATE

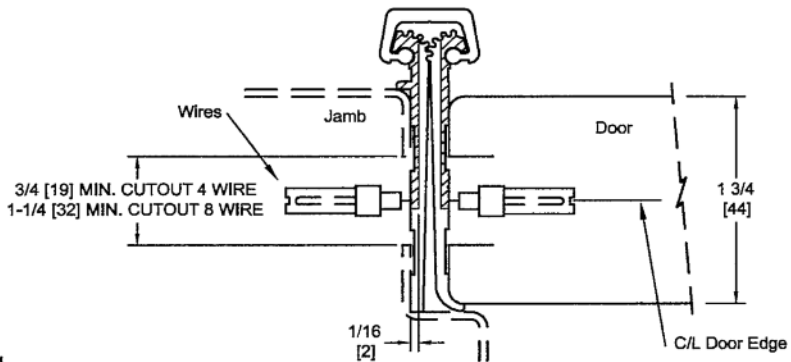
Includes All Profiles Except Residential & 1100 Series



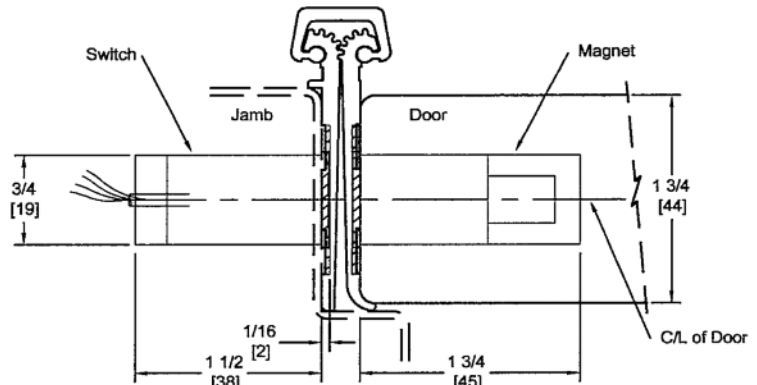
Fire Rated
 Classified & Listed to
 meet the requirements of
 Standards UL10B, UL10C,
 UBC7-2, Part I & BS476
POSITIVE PRESSURE



Concealed Circuit (CC) Application



Magnetic Monitor (MM) Application



* Vertical location from top of hinge = 49" [1245]
 Reference only Consult Manufacture for Specified Locations.

**DO NOT SCALE
 FOR ILLUSTRATION PRUPOSE ONLY**

Continued...

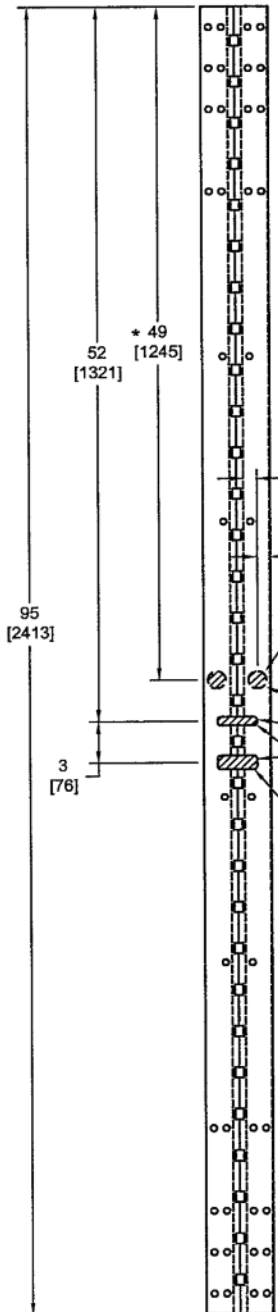
95HD CC12 & MM STANDARD LOCATION TEMPLATE

Includes All Profiles Except Residential & 1100 Series

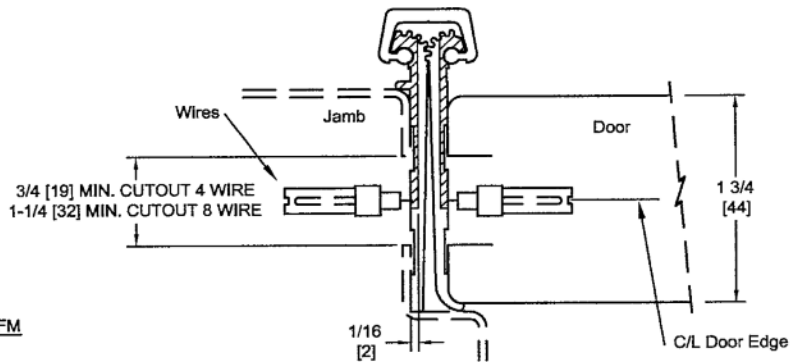


Fire Rated
 Classified & Listed to
 meet the requirements of
 Standards UL10B, UL10C,
 UBC7-2, Part I & BS476

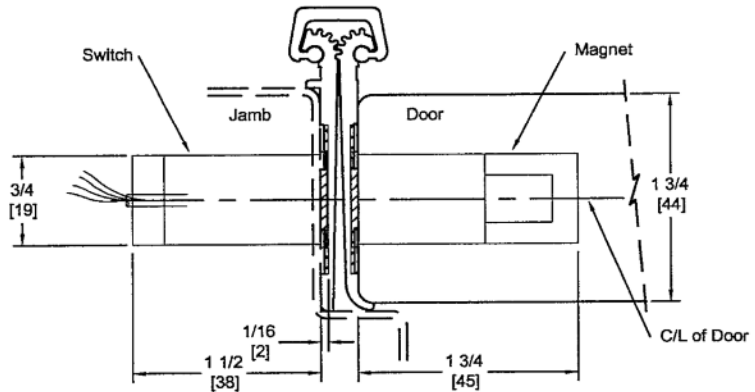
POSITIVE PRESSURE



Concealed Circuit (CC) Application



Magnetic Monitor (MM) Application



* Vertical location from top of hinge = 49" [1245]
 Reference only Consult Manufacture for Specified Locations.

**DO NOT SCALE
 FOR ILLUSTRATION PRUPOSE ONLY**

TEMPLATE 95HD-CC12-06

Copyright © 2006, 2008, McKinney Products Company, an ASSA ABLOY Group company. All rights reserved. Reproduction in whole or in part without the express written permission of McKinney Products Company is prohibited.