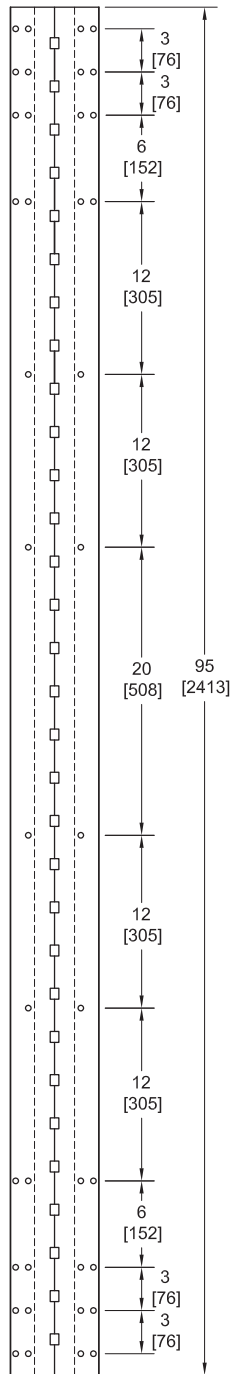
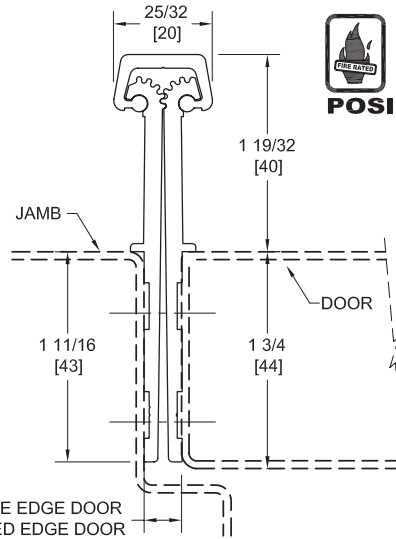


95 MCK WTHD TEMPLATE FULL MORTISE CONTINUOUS ALUMINUM HINGE



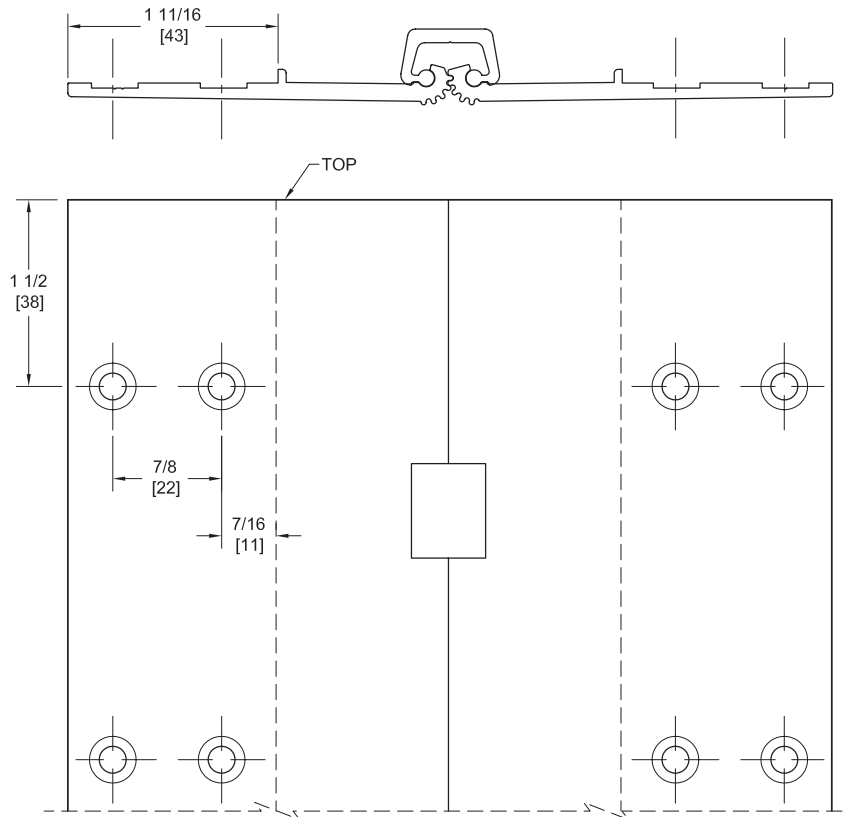
**** CAUTION ****
 Due To Frame
 Variations,
 Pre-drilling
 For Fasteners
 Is Not
 Recommended



Fire Rated
 Classified & Listed to
 meet the requirements of
 Standards UL10B, UL10C,
 UBC7-2, Part I & BS476

POSITIVE PRESSURE

DO NOT SCALE



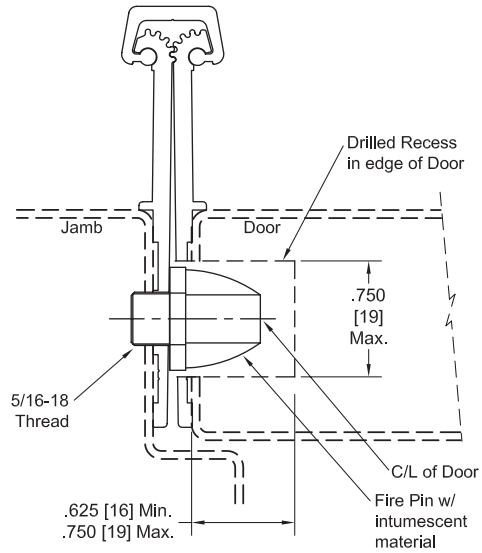
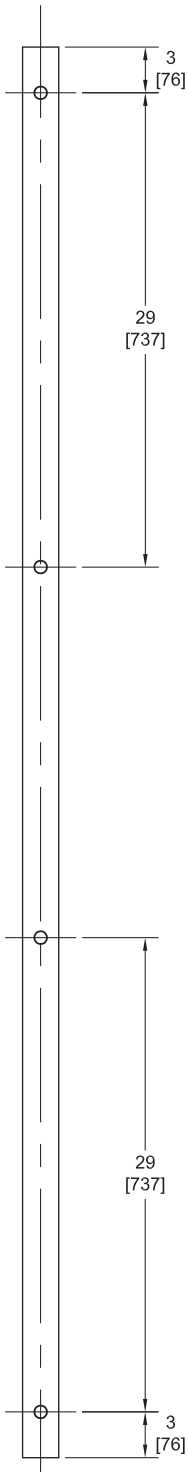
Template Full Mortise Continuous Geared Aluminum Hinges 95 MCK WTHD are made to conform to this drawing.
 Machine Screw Size - No. 12-24 x 7/16 FHUC Thread-forming.

Continuous Geared Aluminum Hinges are Listed for fire applications up to 90 minutes without special preparation; for 3 hour openings using hollow metal doors and hollow metal frames on Masonry/Drywall, Fire Pins (supplied separately) must be used. See back for locations.

Continued...

95 MCK WTHD
TEMPLATE FULL MORTISE CONTINUOUS ALUMINUM HINGE

Fire Pin Application



Concealed Circuit (CC) Application

NOT AVAILABLE