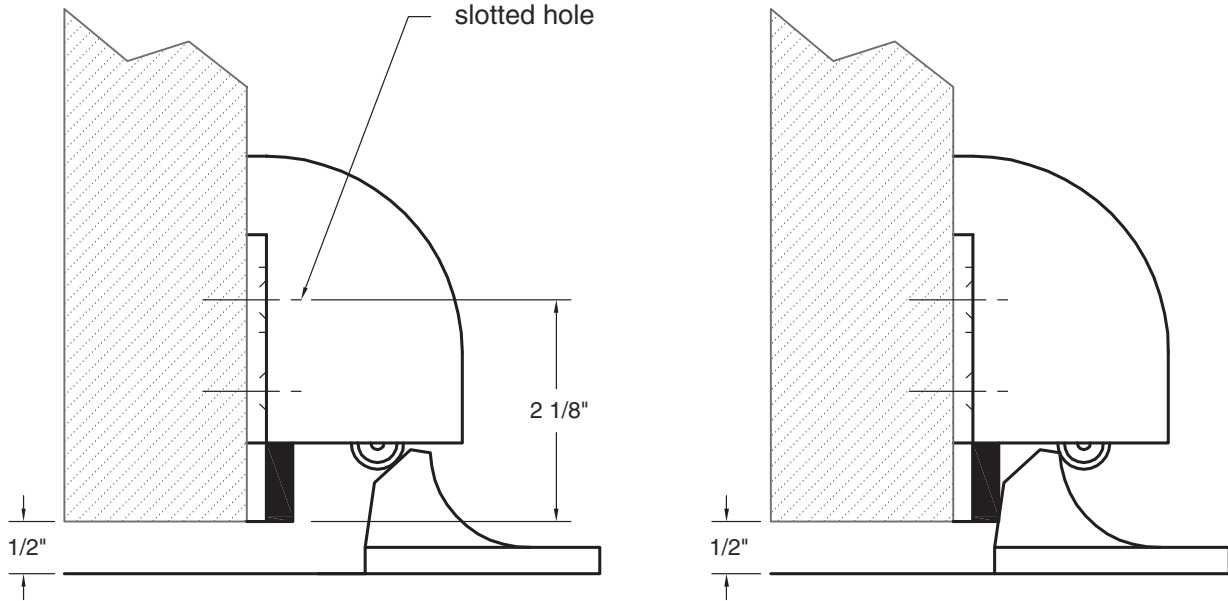


ADH02 AUTOMATIC DOOR STOP & HOLDER



INSTALLATION INSTRUCTIONS

The ADH02 is supplied with 3 different fastener packs:

ADH02 - Packed with (3) #12 x 1-1/4 flhdws, (3) plastic anchors and (4) #10 x 1-1/4 flhdws.

ADH02-A - Packed with (3) #12-24 x 1 fhms, (3) lead anchors and (4) #10 x 1-1/4 flhdws.

ADH02-B - Packed with (3) #12 x 1 fhms, (3) lead anchors, (4) #10 x 1 fhms and (4) #10-24 x 1-3/8 sex bolts.

The ADH02 is intended for doors with 1/2" clearance under the door. Align bottom of roller housing with bottom edge of door and center the housing approximately 2" from edge of door.

Using the slotted holes, drill holes for mounting screws in the middle of the slot and install screws.

Position the floor strike so that it will engage properly and be centered on the roller and mount to floor with fasteners provided.

After testing the engagement to be sure that it works easily and makes a good holding connection (adjustment can be made by loosening the screws in the slotted holes and repositioning the housing), drill and install screws in the other two mounting holes in the housing.

DRILL SIZE CHART		
#12 wood screw	9/64 soft wood	5/32 hard wood
#10 wood screw	1/8 soft wood	9/64 hard wood
#12 plastic anchor	9/32	
#12 lead anchor	1/2	
#10 sex bolt	5/16	

NOTE: Special order risers are available in situations where there is more than 1/2" clearance.