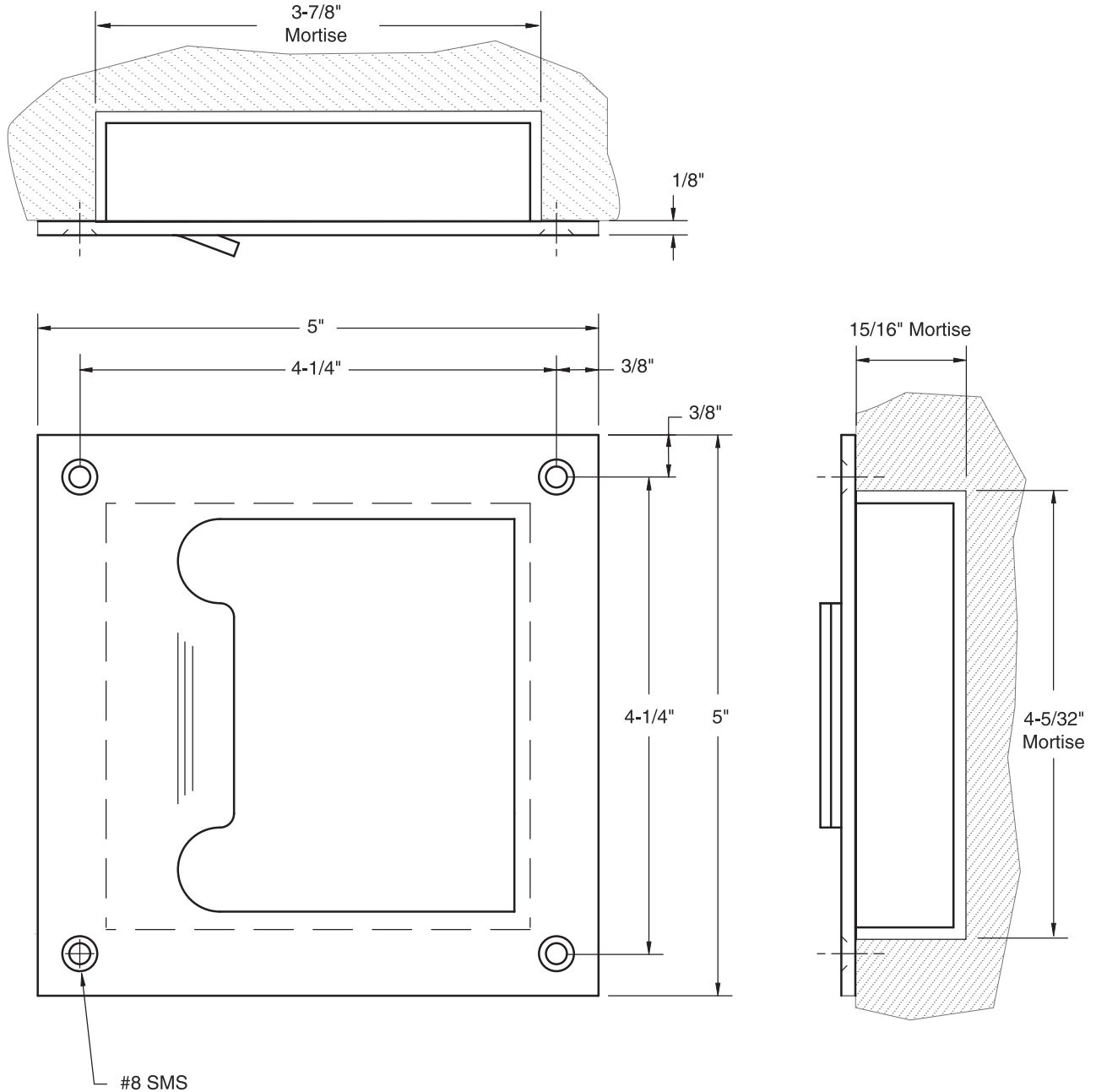


**BFP16 Flush Pull**



Mortise: 3-7/8"w x 4-5/32"h x 15/16"deep.  
 Drop pull into opening and drill mounting holes using  
 holes in handle as a template.  
**NOTE:** Mortise cutout is to be centered on face plate.

**INSTALLATION INSTRUCTION BFP16-09**

Copyright © 2008, McKinney Products Company, an ASSA ABLOY Group company. All rights reserved.  
 Reproduction in whole or in part without the express written permission of McKinney Products Company is prohibited.