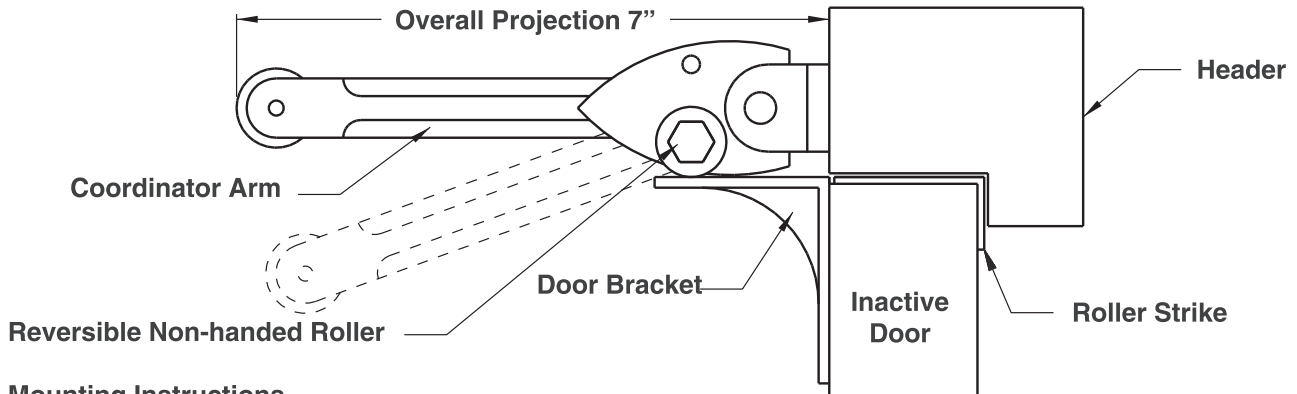




DO NOT SCALE

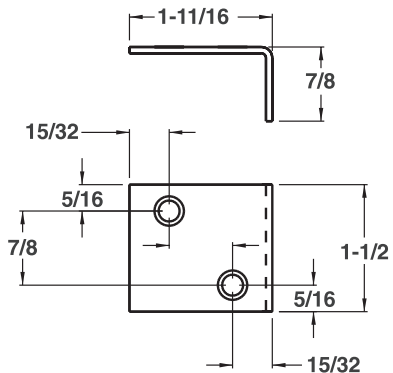
CGT1 GRAVITY DOOR COORDINATOR



Mounting Instructions

Refer to Drill Schedule

1. Locate centerline of doors on header.
2. Mount Coordinator.
3. Mount Roller Strike on Inactive Door.
4. Drill "C" holes and mount door bracket.
5. Adjust Door Bracket flush with Roller Strike. Drill "D" hole to secure strike in place.

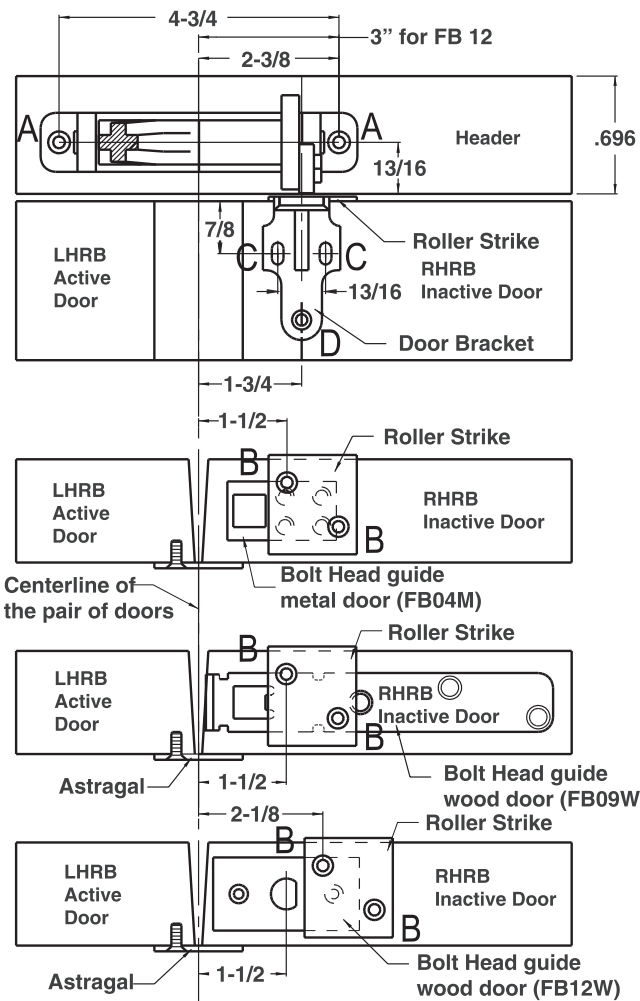


Drill Schedule

Coordinator "A" holes.
 2 ea. #10 x 1" FHSMS
 Drill #24 (.152) in metal
 Drill #17 (.173) in wood

Roller Strike "B" holes
 2 ea. #8-15 x 3/4" FHAPS
 Drill #29 (.136) in wood
 Tap #8-32 in metal

Door Bracket "C&D" holes
 3ea. #8 x 1" FHSMS
 Drill #30 (.128) in wood
 Drill #26 (.147) in metal



RHRB INSTALLATION SHOWN, LHRB - REVERSE SIDE

Continued...

TECHNICAL DATA **CGT1-06** Continued.

Effective date: February 6, 2006
 Supercedes: All Previous

McKinney®

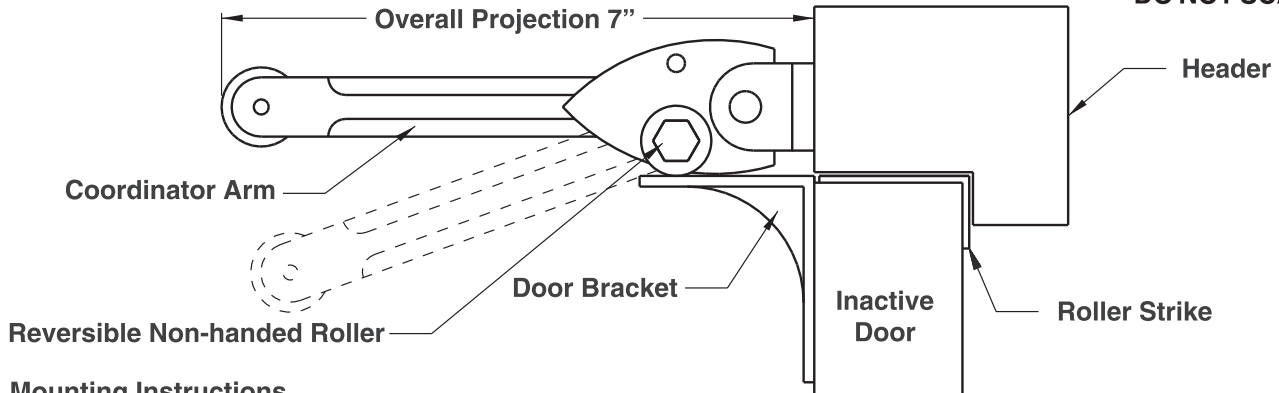
ASSA ABLOY

TECHNICAL DATA **CGT1-06**

CGT1 GRAVITY DOOR COORDINATOR



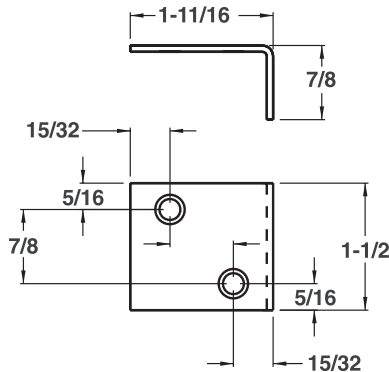
DO NOT SCALE



Mounting Instructions

Refer to Drill Schedule

1. Locate centerline of doors on header.
2. Mount Coordinator.
3. Mount Roller Strike on Inactive Door.
4. Drill "C" holes and mount door bracket.
5. Adjust Door Bracket flush with Roller Strike. Drill "D" hole to secure strike in place.

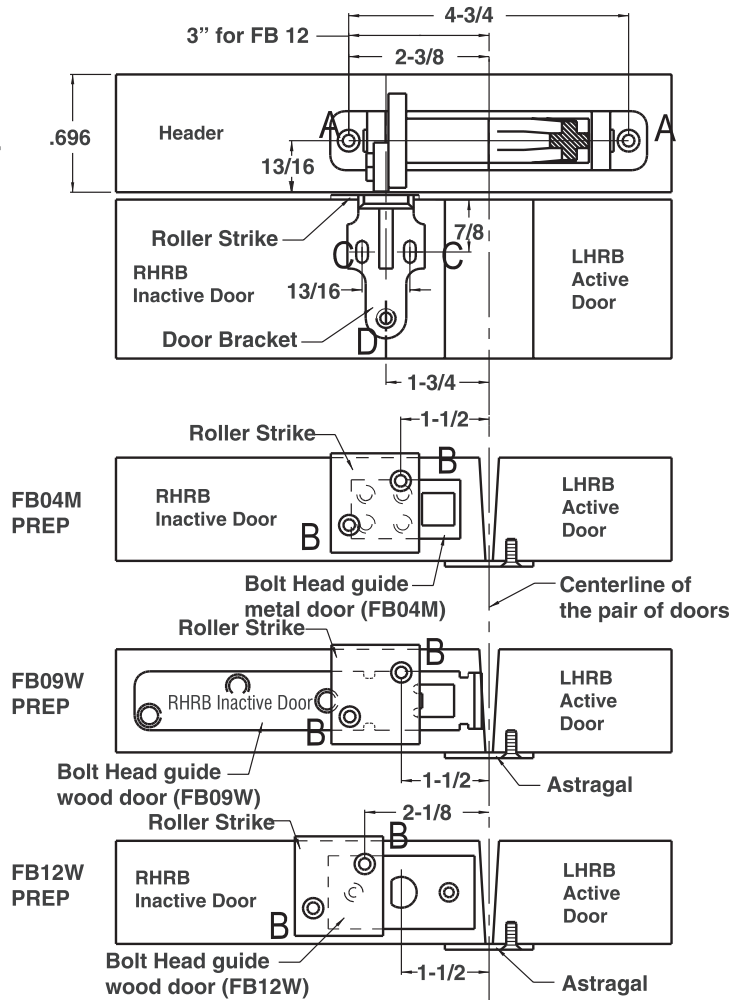


Drill Schedule

Coordinator "A" holes.
 2 ea. #10 x 1" FHSMS
 Drill #24 (.152) in metal
 Drill #17 (.173) in wood

Roller Strike "B" holes
 2 ea. #8-15 x 3/4" FHAPS
 Drill #29 (.136) in wood
 Tap #8-32 in metal

Door Bracket "C&D" holes
 3ea. #8 x 1" FHSMS
 Drill #30 (.128) in wood
 Drill #26 (.147) in metal



Copyright © 2006, 2008, McKinney Products Company, an ASSA ABLOY Group company. All rights reserved. 11/15/08
 Reproduction in whole or in part without the express written permission of McKinney Products Company is prohibited.