

FB12W AUTOMATIC FLUSH BOLT FOR WOOD DOORS



TECHNICAL DATA FB13W-06

Technical Information

General Information:

The FB12W Automatic Flush Bolt uses a standard latch bolt prep fixture with 1-1/8" diameter drill bit. For beveled doors, the face of the FB12W pivots, making the bolt suitable for all door edges.

Preparation Tips:

1. Do not exceed 5/32" depth when mortising the two rectangles. Greater depths will hinder the mating of the two assemblies.
2. The 1-1/8" holes must be drilled perpendicular to the door edges as well as parallel with the door faces.
3. Undercut doors:
 1. Prepare top bolt as suggested.
 2. Prep only vertical mortise of bottom bolt.
 3. Undercut door to required amount.
 4. Redrill vertical mortise the same amount as undercut.
 5. Prep horizontal mortise per template.

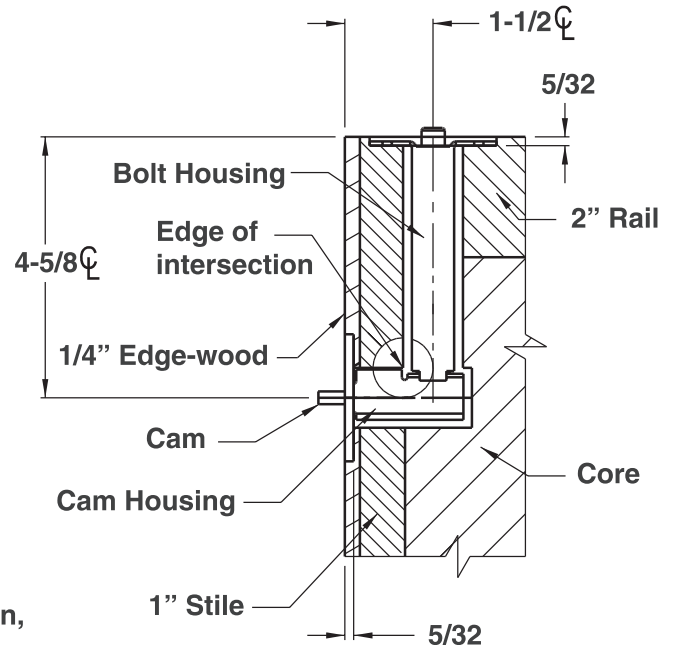
FB12W = Single Bolt
 FB13W = Set of Bolts

Trouble Shooting:

1. If the operation is stiff or the cam sticks, the drilled holes are not quite perpendicular and/or do not meet adequately. In this case, it may be necessary to break the inside edge of the intersecting holes with a smaller drill, or a round file.
2. If breaking the edges does not improve operation, check to see that the two assemblies are mated correctly as stated in Step 2 of the installation instructions.

Maintenance Tips:

The FB12W will provide years of trouble free operation. Periodic greasing with a moly or lithium based grease will extend the life of the FB12W.



Depress cam and apply grease to both sides of cam slide.



Apply grease

Continued...

TECHNICAL DATA **FB13W-06** Continued.

Effective date: February 9, 2006
 Supercedes: All Previous

McKinney®

ASSA ABLOY

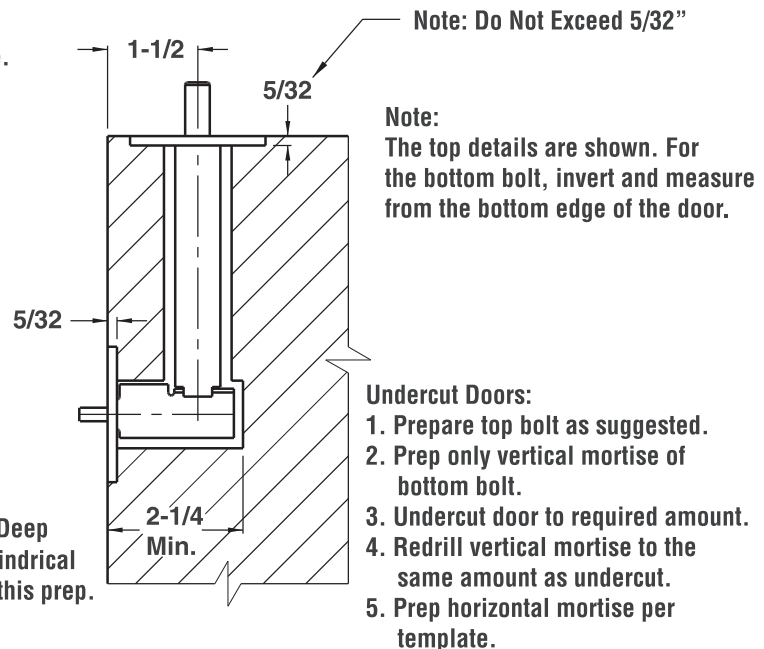
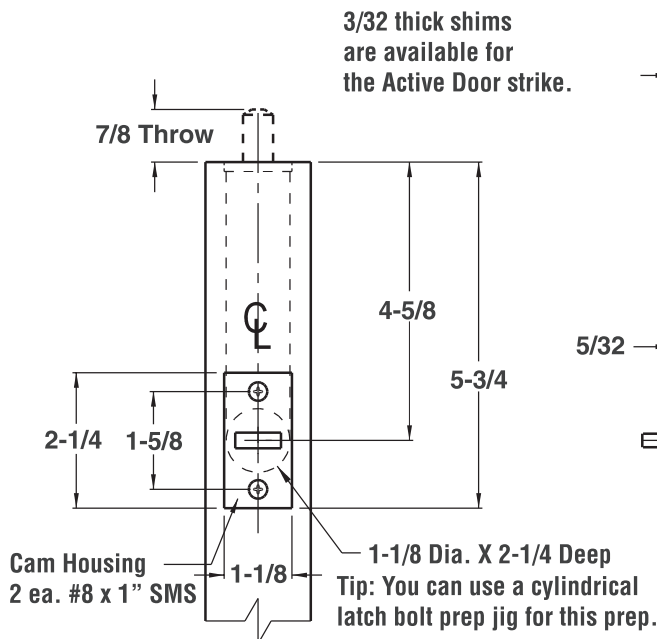
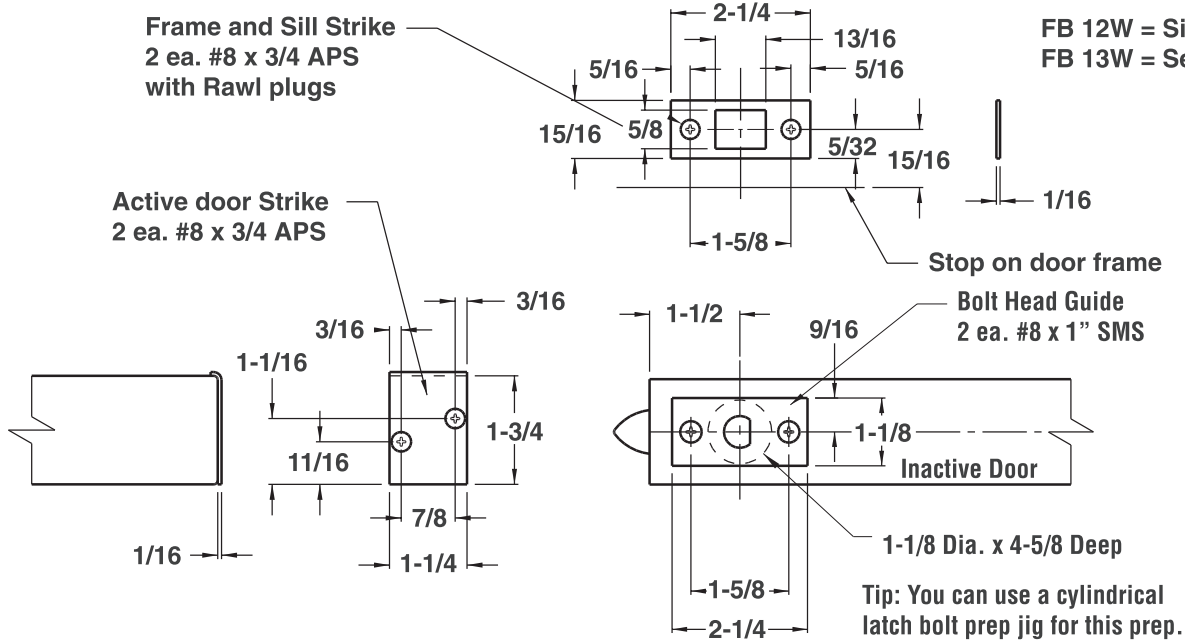


FB12W AUTOMATIC FLUSH BOLT FOR WOOD DOORS

REQUIRES 1-1/2" BACKSET

Non-handed for
 Inactive Door

FB 12W = Single Bolt
 FB 13W = Set of Bolts



SEE REVERSE SIDE FOR INSTALLATION

Continued...

McKINNEY Products Company • 225 Episcopal Road • Berlin, CT 06037 • PHONE: 800-346-7707 • FAX: 800-541-1073

ASSA ABLOY, the global leader in door opening solutions

TECHNICAL DATA **FB13W-06**

Copyright © 2006, 2008, McKinney Products Company, an ASSA ABLOY Group company. All rights reserved.
 11/15/08 Reproduction in whole or in part without the express written permission of McKinney Products Company is prohibited.

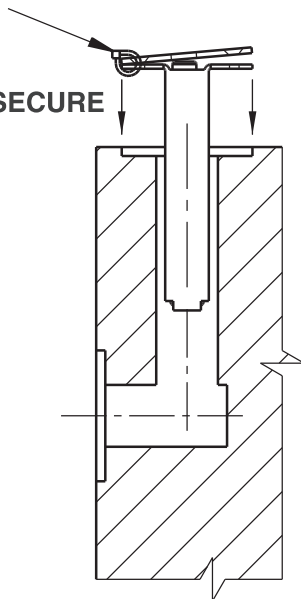


FB12W AUTOMATIC FLUSH BOLT FOR WOOD DOORS

Bolt Installation

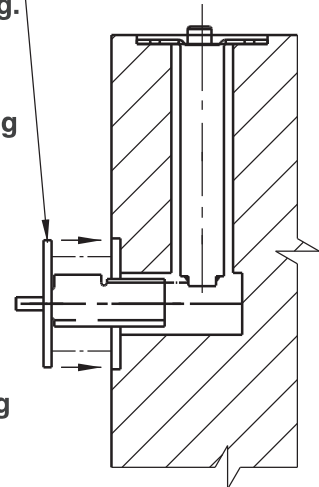
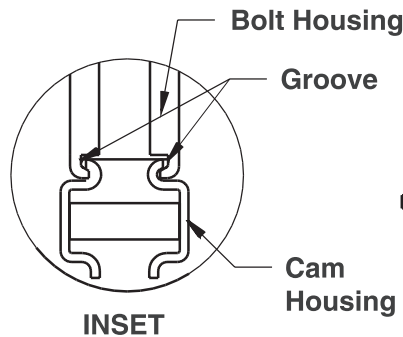
1. Remove Tie and install housing

DO NOT SECURE



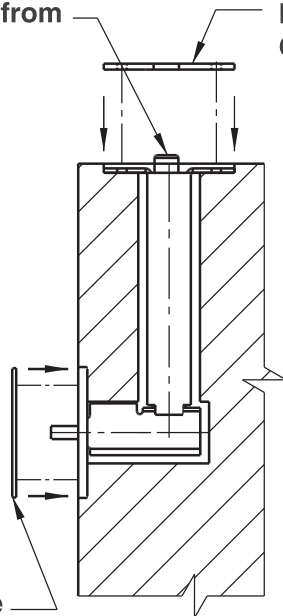
2. Install Cam Housing into grooves in Bolt Housing. See INSET.

TIP: Check bolt engagement prior to fully installing by gently twisting Cam Housing. If it rotates, it is not engaged into the Bolt Housing.



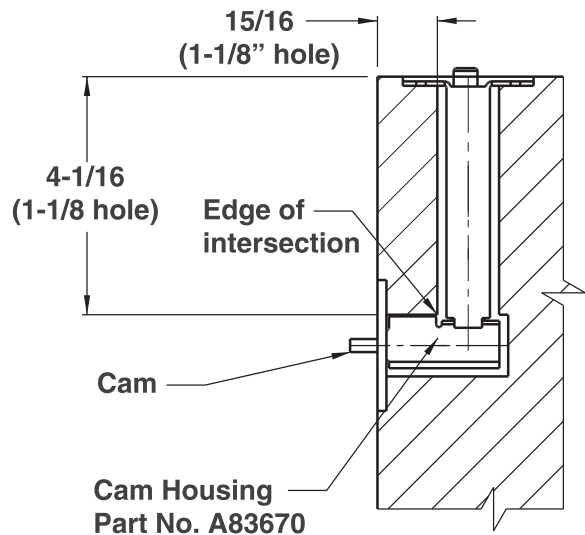
3. Adjust Bolt Head from 0 to 1/16" above Bolt Head Guide. Secure Bolt Head Guide and Bolt Housing with 2 ea. #8 APS.

Bolt Head Guide



4. Install Cover Plate over Cam Housing and secure with 2 ea. #8 APS.

Note: If prepped holes are not perpendicular cam may bind. Break edge of the intersection of the 2 holes or file the edge of the vertical hole to ensure the noted dimension.



Continued...

TECHNICAL DATA **FB13W-06** Continued.

Effective date: February 9, 2006
 Supercedes: All Previous

McKinney®

ASSA ABLOY

UL US
 LISTED
 DO NOT SCALE

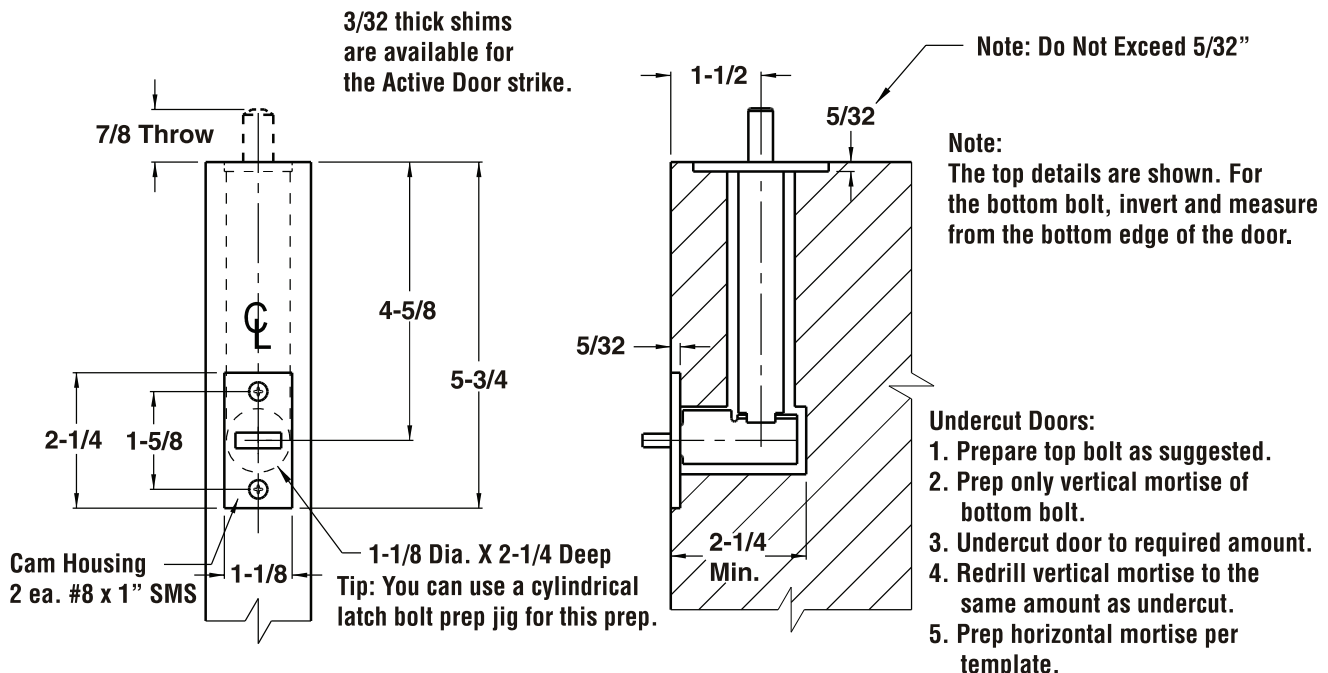
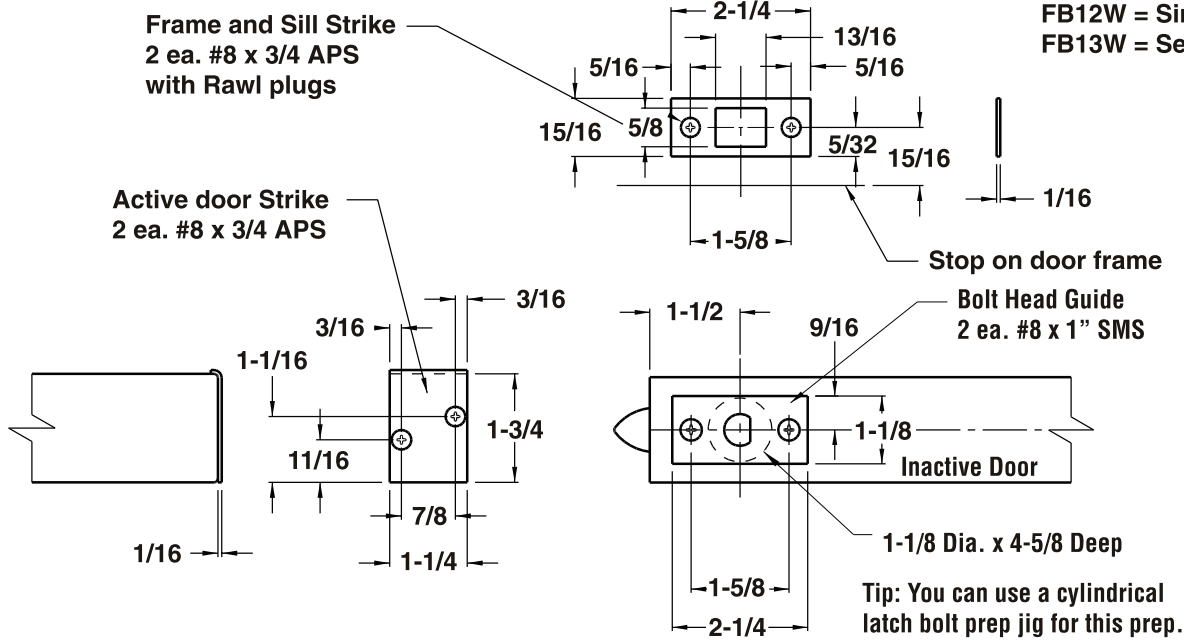
FB12W AUTOMATIC FLUSH BOLT FOR WOOD DOORS

Non-handed for
 Inactive Door

REQUIRES 1-1/2" BACKSET

FB12W = Single Bolt
 FB13W = Set of Bolts

TECHNICAL DATA **FB13W-06**



SEE REVERSE SIDE FOR INSTALLATION

Continued...

McKINNEY Products Company • 225 Episcopal Road • Berlin, CT 06037 • PHONE: 800-346-7707 • FAX: 800-541-1073

ASSA ABLOY, the global leader in door opening solutions

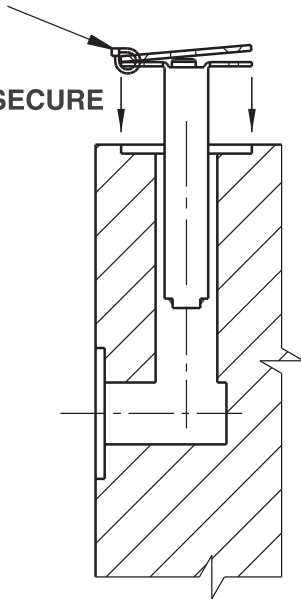


FB12W AUTOMATIC FLUSH BOLT FOR WOOD DOORS

Bolt Installation

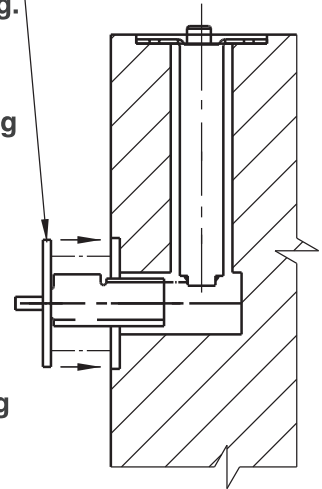
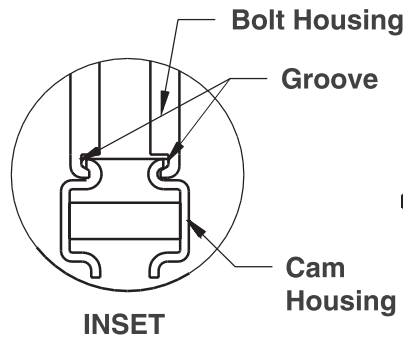
1. Remove Tie and install housing

DO NOT SECURE

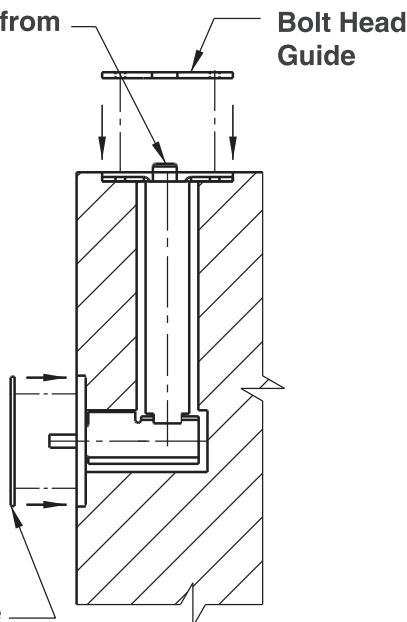


2. Install Cam Housing into grooves in Bolt Housing. See INSET.

TIP: Check bolt engagement prior to fully installing by gently twisting Cam Housing. If it rotates, it is not engaged into the Bolt Housing.



3. Adjust Bolt Head from 0 to 1/16" above Bolt Head Guide. Secure Bolt Head Guide and Bolt Housing with 2 ea. #8 APS.



4. Install Cover Plate over Cam Housing and secure with 2 ea. #8 APS.

Note: If prepped holes are not perpendicular cam may bind. Break edge of the intersection of the 2 holes or file the edge of the vertical hole to ensure the noted dimension.

