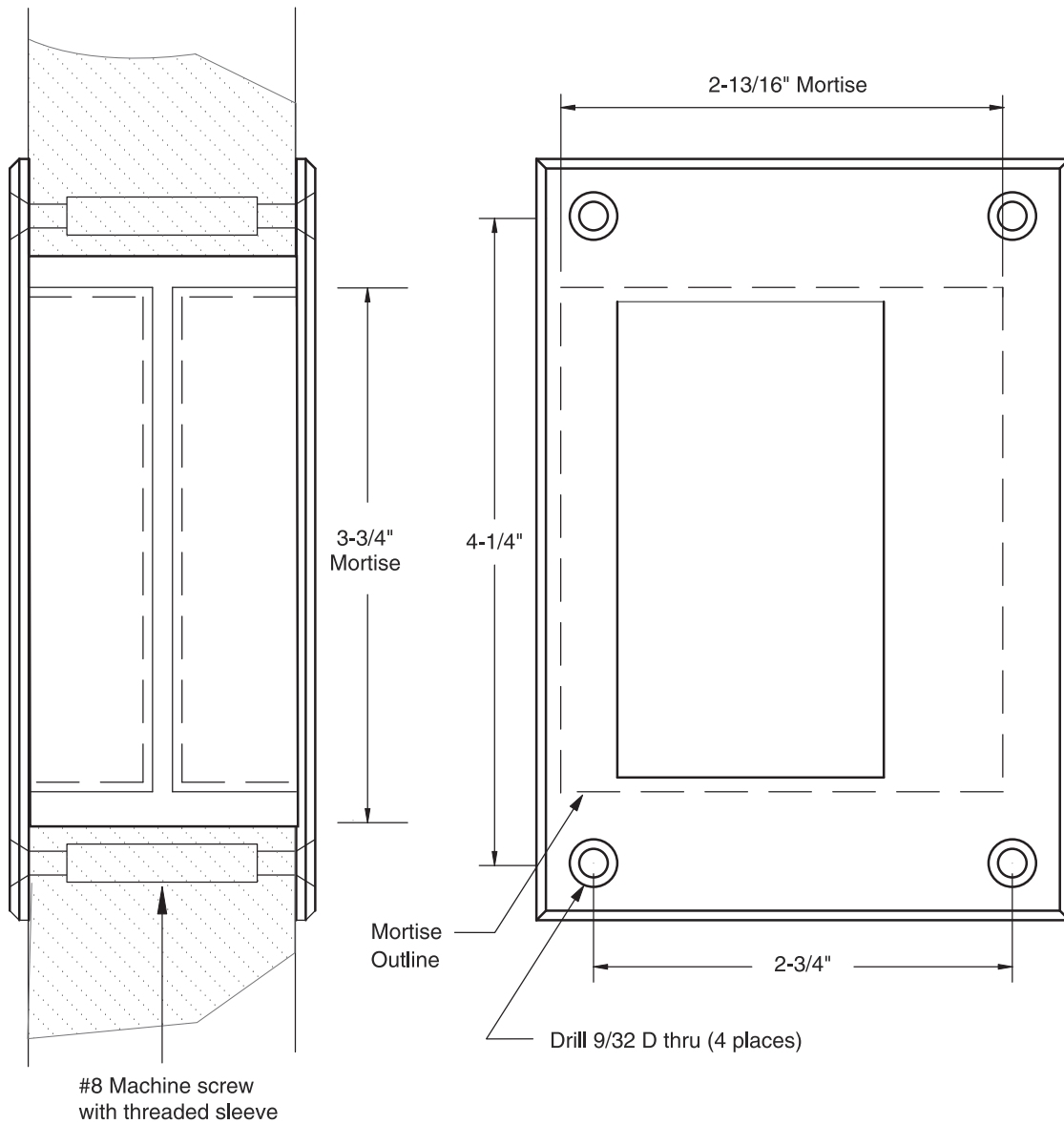


FP05BTB FLUSH PULL - BACK TO BACK MOUNTING



Mortise: $2\text{-}13/16\text{'}$ w x $3\text{-}3/4\text{'}$ h.
Drop flush cup into cutout and spot drill holes using the pull as a template. Drill holes to $9/32$ D.