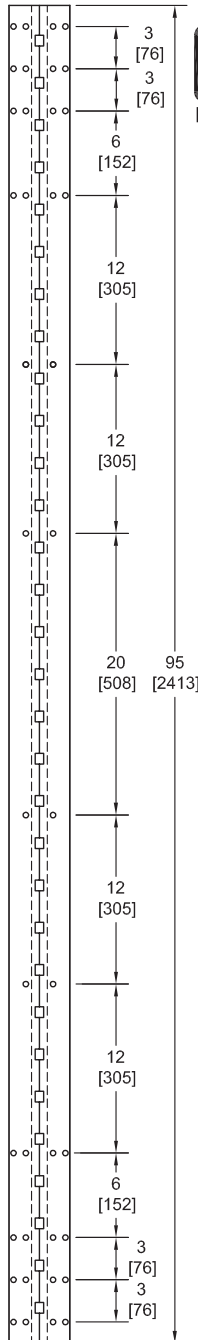
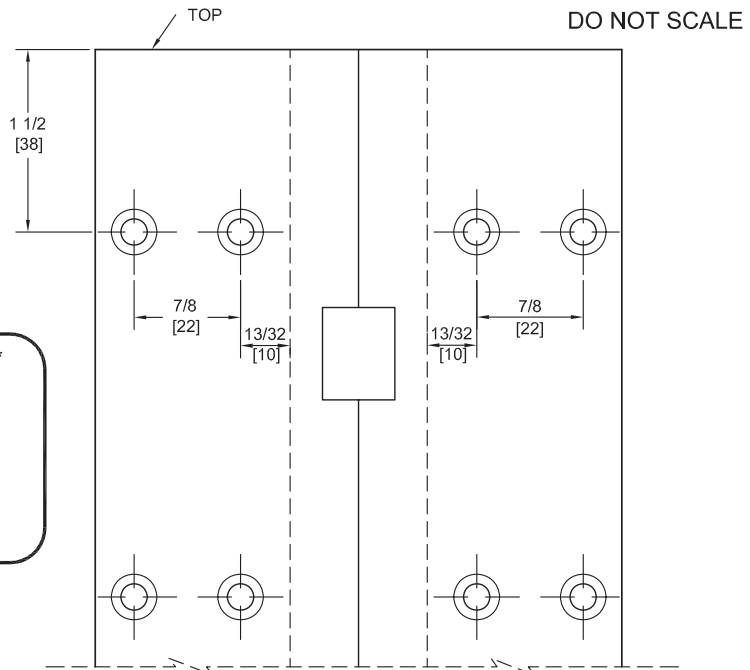
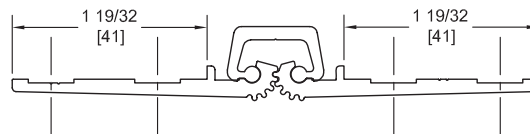
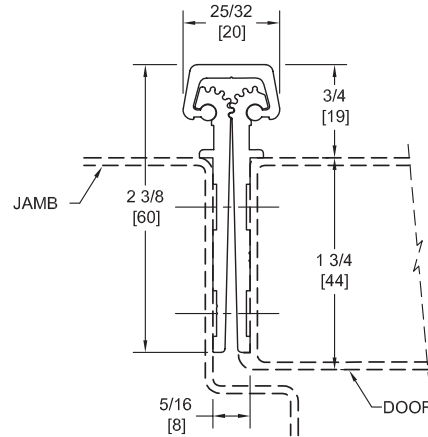


95" K-MCK-12HD TEMPLATE FULL MORTISE CONTINUOUS GEARED ALUMINUM HINGE FOR KAWNEER



Fire Rated
Classified & Listed to
meet the requirements of
Standards UL10B, UL10C,
UBC7-2, Part I & BS476

POSITIVE PRESSURE



**** CAUTION ****
Due To Frame
Installation
Variations,
Pre-drilling
For Fasteners
Is Not
Recommended

McKINNEY Template Full Mortise Continuous Geared Aluminum Hinges 95" K-MCK-12HD are made to conform to this drawing.

McKINNEY 95" K-MCK-12HD hinges can be supplied with Electric Functions – See Electrical Application Section.

Machine Screw Size – No. 12-24 x 7/16 FHUC Thread-forming.

McKINNEY Continuous Geared Aluminum Hinges are Listed for fire applications up to 90 minutes without special preparation; for 3 hour openings using hollow metal doors and hollow metal frames on Masonry/Drywall, Fire Pins (supplied separately) must be used.

Continued...

McKINNEY Products Company • 820 Davis Street • Scranton PA 18505-3525 • PHONE: 800-346-7707 • FAX 800-541-1073

ASSA ABLOY, the global leader in door opening solutions

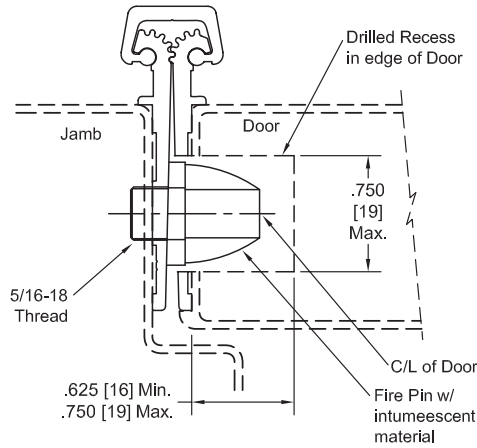
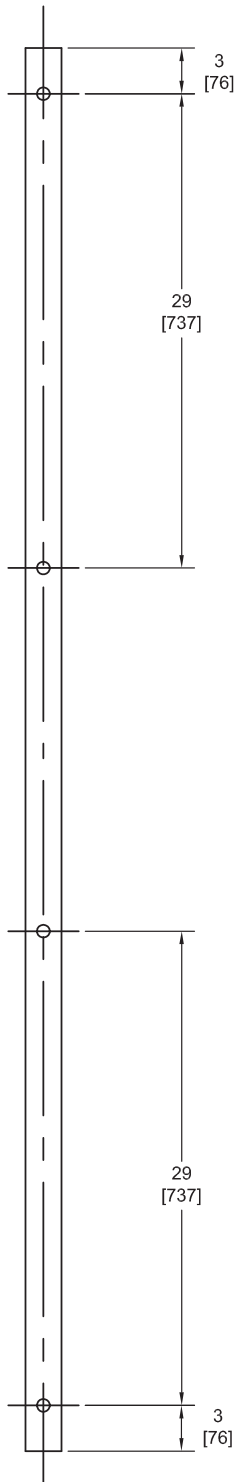
TEMPLATE K-MCK-12HD-95-09

Copyright © 2009 McKinney Products Company, an ASSA ABLOY Group company. All rights reserved. Reproduction in whole or in part without the express written permission of McKinney Products Company is prohibited.

TEMPLATE K-MCK-12HD-95-09

**95" K-MCK-12HD
TEMPLATE FULL MORTISE CONTINUOUS GEARED ALUMINUM HINGE
FOR KAWNEER**

Fire Pin Application



Concealed Circuit (CC) Application

Refer to Template 608

Magnetic Monitor (MM) Application

Refer to Template 608