

LGC01, LGC02, LGC03 LATCH GUARD

The McKINNEY LGC Series Latch Guard will cover a bottom latch that is up to 2-1/4" wide x 2-1/8" projection.

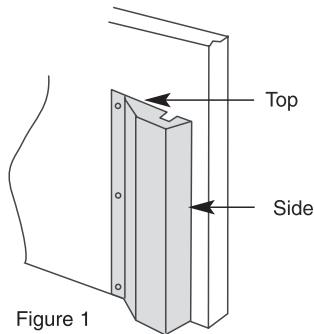


Figure 1

Step 1. (Figure 1) Hold the latch guard cover in place and mark the outside edge, both top and side, for reference during installation of the latch guard bracket.

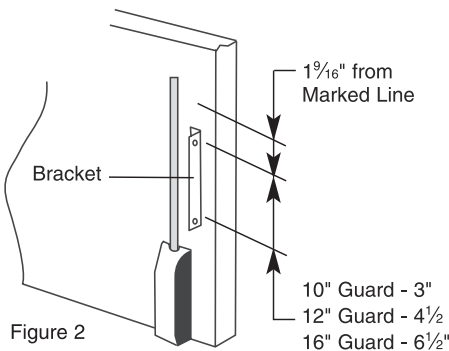


Figure 2

Step 2. (Figure 2) Locate the latch guard bracket $\frac{1}{16}$ " inside of the line made in step 1 to allow for the thickness of the cover. Select the leg of the angle bracket that is 1" wide and use the prepunched $\frac{3}{16}$ " diameter holes as a template. Then drill and tap the two #8-32 holes in the door for the mounting bracket.

Step 3. (Figure 2) Mount the bracket with two #8-32 pan head machine screws.

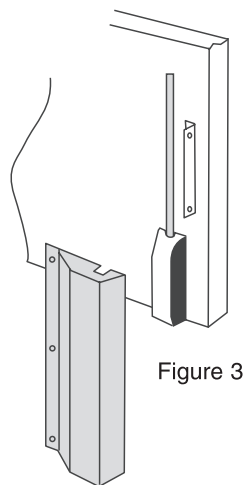


Figure 3

Step 4. (Figure 3) Mount cover to bracket with two #8-32 pan head machine screws and then using the cover as a template, drill and tap the remaining (3) holes #8-32 in the door. Finish mounting the cover with (3) #8-32 pan head machine screws.