

MFB1 BOTTOM FIRE BOLT FOR METAL DOORS

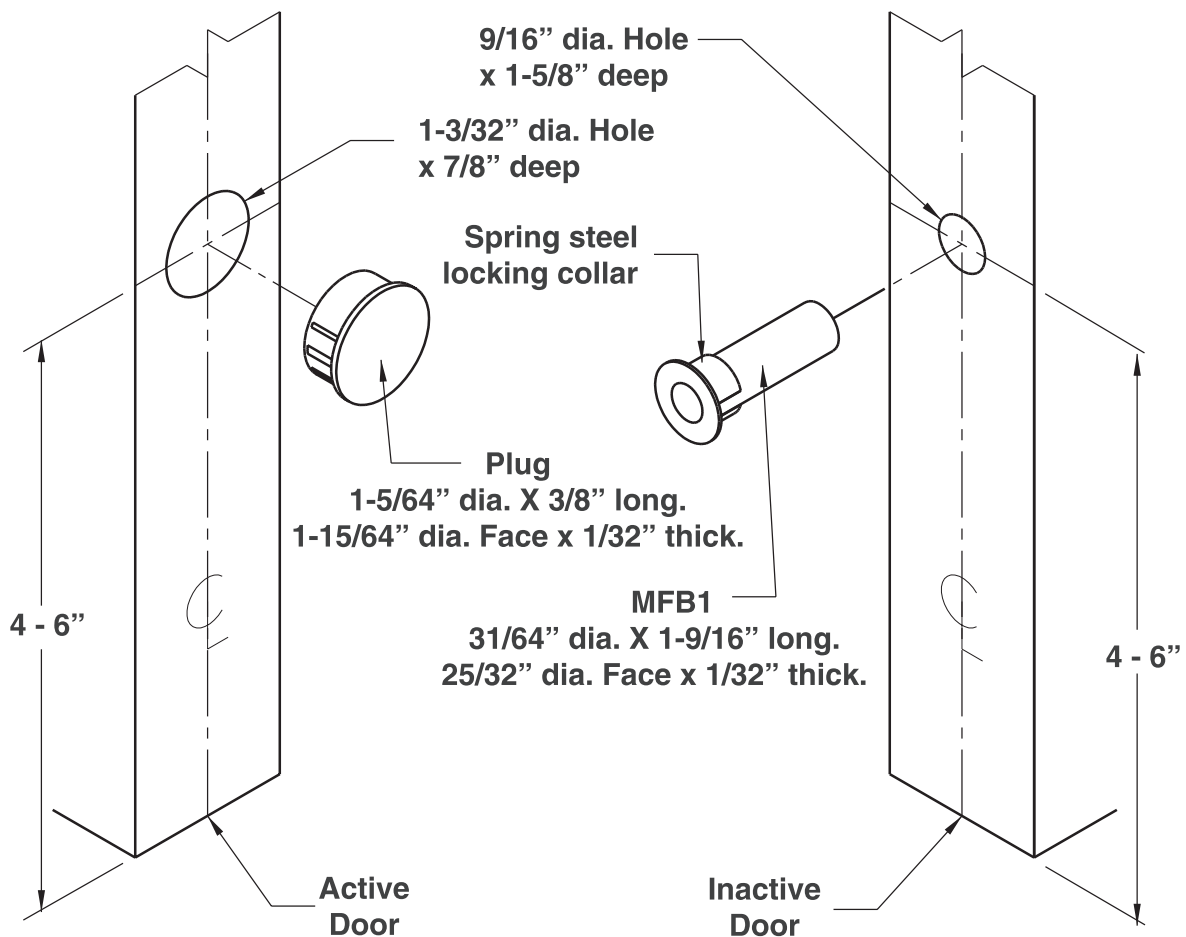
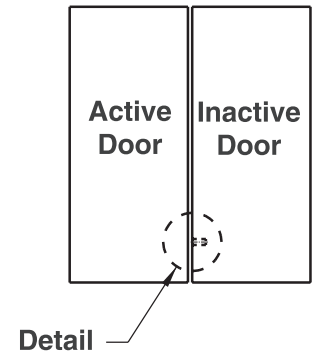
Installation Instructions

Inactive Door

1. Measure 4" - 6" from bottom of Inactive Door.
2. Drill a 9/16" dia. Hole x 1-5/8" deep for MFB 1.
3. Install MFB1 by striking squarely with a hammer.

Active Door

1. Drill a 1-3/32" dia. Hole x 7/8" deep for plug at the same height as the MFB1.
2. Install plug in door by striking with a hammer.



IMPORTANT: The MFB1 will project during a fire.
DO NOT COVER with any edge mounted door hardware.