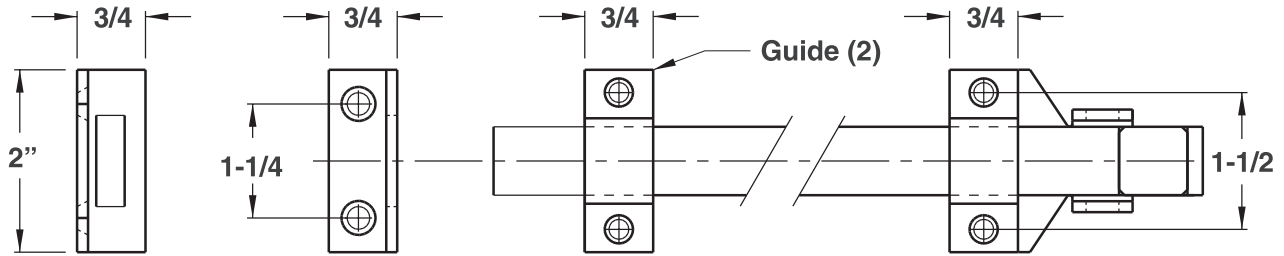
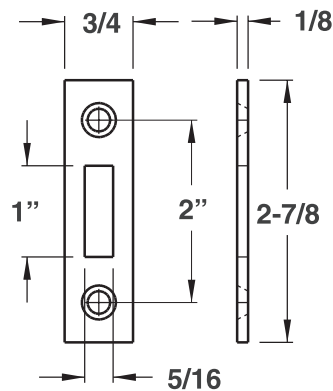


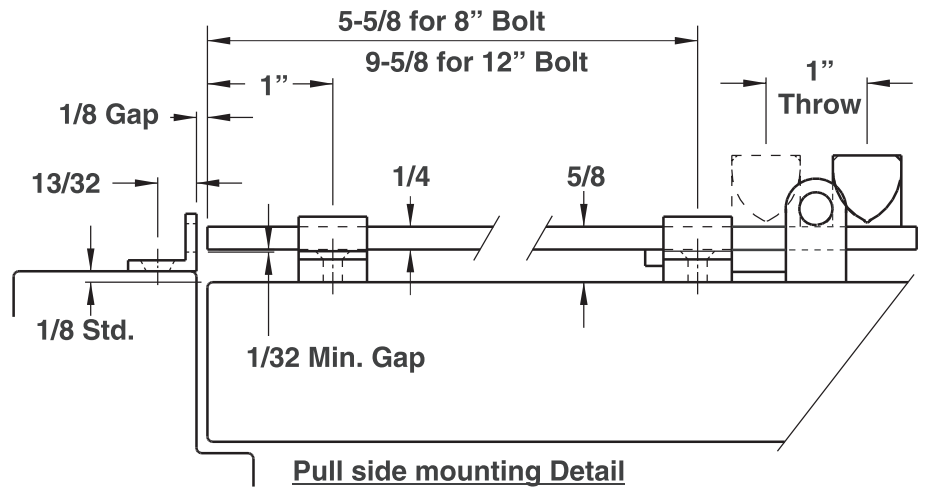
SB08P - SB12P SECURITY SURFACE BOLT



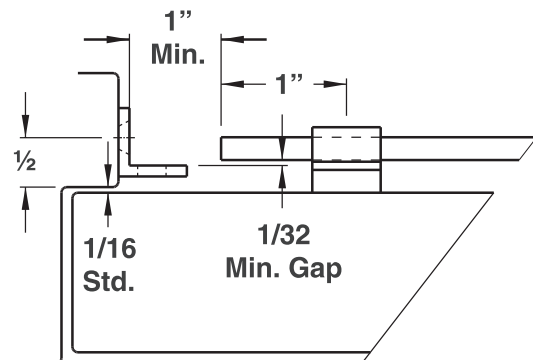
Universal Strike



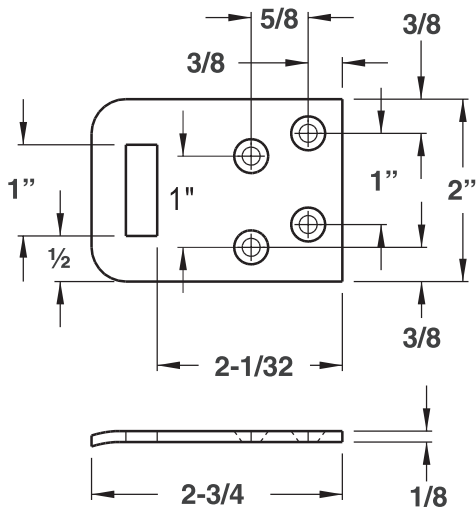
Mortise Strike



Pull side mounting Detail



Push side mounting Detail



Optional Rim Strike

SCREW PACKAGE
(6) #10 x 1-1/4 ONE WAY TYPE A F.H.M.S.
(6) #10-24 x 1 ONE WAY F.H.M.S.

USE STANDARD SCREWS TO CHECK PROPER HOLE PLACEMENT ONLY