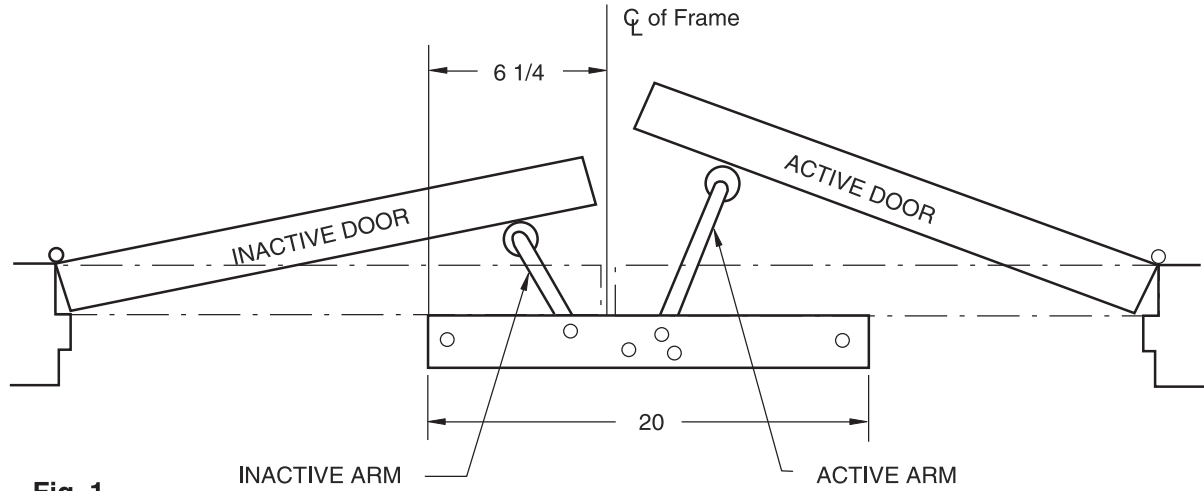
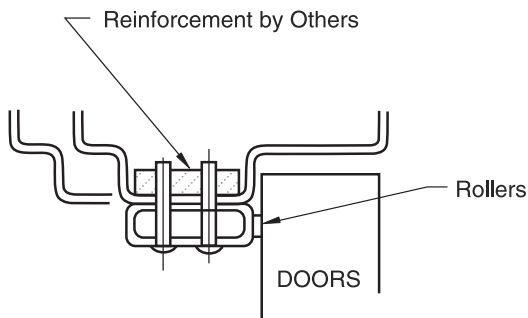


**UC125 UNIVERSAL COORDINATOR**

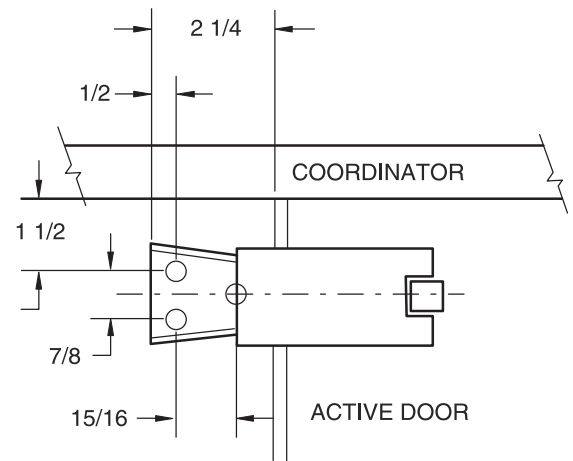


**Fig. 1**

Spot (4) Holes In Door Stop  
 for 10-32 Machine Screws or #10 Wood Screws



**Fig. 2**



**Fig. 3**

Drill For (3) 3/8 Dia. Sex Bolts

1. Before spotting holes, inactive (short) arm must be oriented with inactive door prep frame (Fig. 1 & 2).
2. Mount coordinator with (4) 10-32 machine screws or (4) #10 wood screws (Fig. 1)
3. Install carry bar when required (Fig. 3).