

### WFB2 BOTTOM FIRE BOLT FOR WOOD DOORS

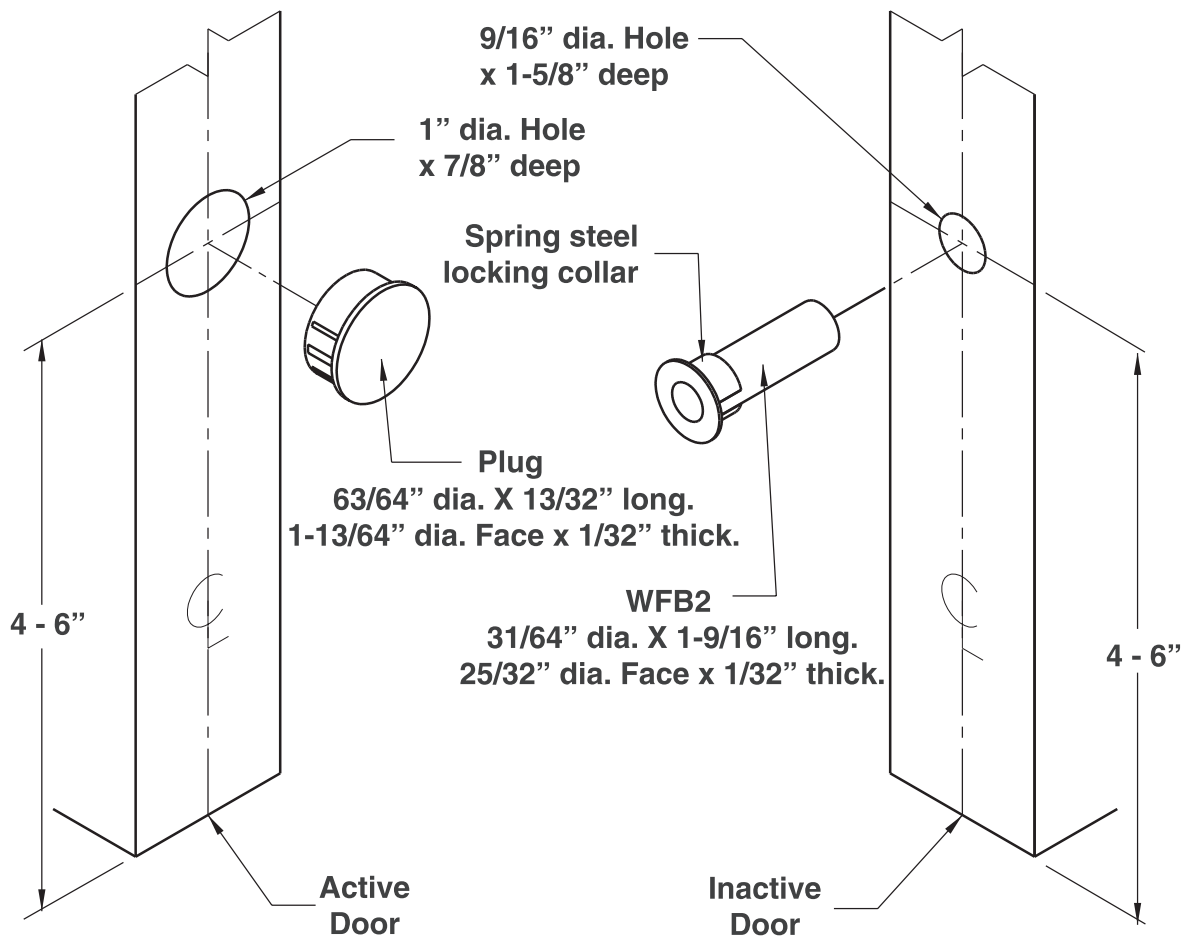
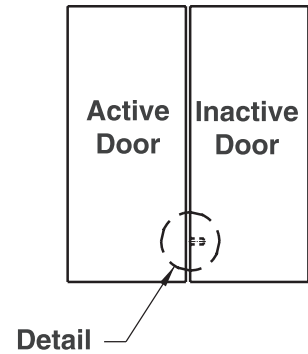
#### Installation Instructions

##### Inactive Door

1. Measure 4" - 6" from bottom of Inactive Door.
2. Drill a 9/16" dia. Hole x 1-5/8" deep for WFB2.
3. Install WFB2 by striking squarely with a hammer.

##### Active Door

1. Drill a 1" dia. Hole x 7/8" deep for plug at the same height as the WFB2.
2. Install plug in door by striking with a hammer.
3. For zero clearance doors, counterbore 1-1/4" dia. X 1/16" deep for plug.



**IMPORTANT:** The WFB2 will project during a fire.  
**DO NOT COVER** with any edge mounted door hardware.